

Parts Catalog SM3032D Disc Rider Scrubber



PREFACE

Thank you for your purchase of the new industry standard for scrubbers. PowerBoss® takes great pride in offering the most dependable, reliable and best value in industrial power scrubbers and sweepers. We set the standard.

Our Customer Service Department would like to hear from you. If you see any errors, omissions or something that needs clarification in this Parts Catalog please let us know. We are working hard towards continually improving our processes to bring you the best you deserve. Please copy the form below, fill out and comment on how you found our catalog.

Thank you!
The PowerBoss Team

Name: _____

Title: _____

Company Name: _____

Address: _____

Country: _____

Type of equipment or model number: _____

Comments: _____

Please return to:
Customer Service Manager
PowerBoss®, Minuteman International, Inc.
14N845 U.S. Route 20
Pingree Grove, Illinois 60140 USA

Phone: (800) 323-9420
Email: tech@powerboss.com

This is the Parts Catalog for the PowerBoss® B120R Disc Rider Scrubber machine.

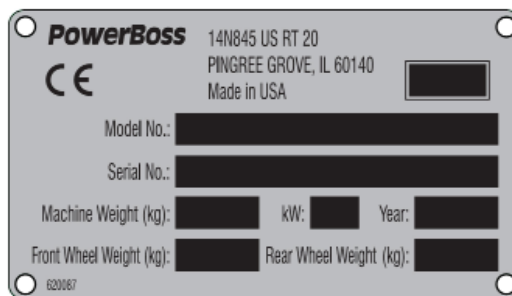
We believe this machine will provide excellent service for many years. Best results will be obtained if:

- The machine is operated with reasonable care.
- The machine is maintained regularly per the maintenance schedule provided in the User Manual.
- The machine is maintained with PowerBoss® supplied or equivalent parts.

All right side and left side references to the machine (except for engine) are determined by facing the direction of forward travel. The front of the engine or engine fan faces the front of the machine. Some hardware considered to be common or locally available has been omitted from the parts section to make this manual clear. Be sure to use equivalent hardware when replacement becomes necessary.

The Model and Serial Number of your machine is shown on the I.D. name plate. This information is needed when contacting Technical Support or when ordering parts. The I.D. plate is mounted on the left side wall of the operator seating area.

Example I.D Plate:



Parts may be ordered by phone, fax or e-mail from any PowerBoss® parts and service center. Before ordering parts or supplies, be sure to have your machine model number and serial number handy. For your convenience Fill out the data block below for future reference.

| | |
|---|-------|
| MACHINE DATA Fill out at installation | |
| Serial Number: | _____ |
| Engine Serial Number: | _____ |
| Sales Rep.: | _____ |
| Date of Install: | _____ |

All information contained in this catalog is current at the time of printing. Minuteman International, Inc. reserves the right to make changes at any time without notice.

PowerBoss®, Minuteman International, Inc., Copyright 2021, Printed in USA

TECHNICAL SPECIFICATIONS

Model: B120R Disc Rider Scrubber

Model No.: SM3032D, SM3032DQP

Dimensions

| Name | Unit | TB 750 | TB 900 | WB 700 | WB 850 |
|-----------------------------------|------|--------|--------|--------|--------|
| Length of machine with squeegee | mm | 1675 | 1675 | 1675 | 1675 |
| Width of machine with squeegee | mm | 960 | 1120 | 960 | 1120 |
| Width of machine without squeegee | mm | 810 | 950 | 810 | 950 |
| Height of machine | mm | 1440 | 1440 | 1440 | 1440 |

Working width

| | | | | | |
|------------|----|-----|------|-----|------|
| Brush unit | mm | 750 | 900 | 700 | 850 |
| Squeegee | mm | 950 | 1100 | 950 | 1100 |

Weights

| | | | | | |
|-----------------------------------|----|-----|-----|-----|-----|
| Weight (empty, without batteries) | kg | 340 | 355 | 324 | 326 |
| Total weight (ready for use) | kg | 723 | 738 | 707 | 709 |
| Permissible total weight | kg | 870 | 870 | 870 | 870 |

Driving performance

| | | | | | |
|---|------|---------|---------|---------|---------|
| Driving speed transportation (forwards/reverse) | km/h | 6.7/3.9 | 6.7/3.9 | 6.7/3.9 | 6.7/3.9 |
| Climbing capacity when cleaning | % | 2 | 2 | 2 | 2 |
| Climbing capacity during transport journey (ready for operation, max. 1 minute) | % | 10 | 10 | 10 | 10 |
| Ramp angle/Slope angle | % | 18 | 18 | 18 | 18 |
| Turning circle (with squeegee) | mm | 2470 | 2470 | 2470 | 2470 |

Wheels

| | | | | | |
|--|-------------------|---------------|---------------|---------------|---------------|
| Wheel diameter | mm | 305 | 305 | 305 | 305 |
| Specific wheel contact pressure front/rear | N/mm ² | 0,49/ 0,48 | 0,49/ 0,48 | 0,49/ 0,48 | 0,49/ 0,48 |

Tank contents

| Name | Unit | TB 750 | TB 900 | WB 700 | WB 850 |
|------------------|-------|--------|--------|--------|--------|
| Solution tank | Litre | 120 | 120 | 120 | 120 |
| Waste water tank | Litre | 120 | 120 | 120 | 120 |

Brush head

| | | | | | |
|--------------------------|-------|-------|-------|-------|-------|
| Number of brushes | Piece | 2 | 2 | 2 | 2 |
| Brush speed | rpm | 210 | 210 | 850 | 850 |
| Min./Max. brush pressure | kg | 37/60 | 50/70 | 26/33 | 28/35 |

Vacuum system

| | | | | | |
|------------------|-------------------|-----|-----|-----|-----|
| Air quantity | m ³ /h | 110 | 118 | 110 | 118 |
| Vacuum (maximum) | mbar | 170 | 170 | 170 | 170 |

Electrical system

| | | | | | |
|--|---|-------|-------|-------|-------|
| Nominal voltage | V | 24 | 24 | 24 | 24 |
| Nominal output (max.) (P1) | W | 3260 | 3260 | 3100 | 3100 |
| Power consumption drive motor (P1) S2-120 min | W | 816 | 816 | 816 | 816 |
| Power consumption vacuum motor (P1) | W | 528 | 528 | 528 | 528 |
| Power consumption brush motor (P1) | W | 2x960 | 2x960 | 2x876 | 2x876 |
| Power consumption water pump (P1) | W | 100 | 100 | 100 | 100 |
| Type of protection | | IPX3 | IPX3 | IPX3 | IPX3 |
| Protection class | | III | III | III | III |

On-board charger

| | | | | | |
|----------------------------|---|--------|--------|--------|--------|
| Rated input/output voltage | V | 230/24 | 230/24 | 230/24 | 230/24 |
| Nominal output | W | 1130 | 1130 | 1130 | 1130 |
| Type of protection | | IP20 | IP20 | IP20 | IP20 |
| Protection class | | I | I | I | I |

Noise emission value

| | | |
|--|--------|----|
| The sound power level (L_{WA}) measured under the customary conditions of use according to DIN EN 60335-2-72 is: | dB (A) | 85 |
| The sound pressure level (L_{pA}) (at the ear of the driver) measured under the customary conditions of use according to DIN EN 60335-2-72 is: | dB (A) | 66 |
| Measuring uncertainty (K_{pA}) | dB (A) | 2 |

Vibration

| | | |
|---|---------|------------|
| Under the customary conditions of use, the weighted effective value of the acceleration to which the upper limbs (hand-arm) are subjected to according to DIN EN ISO 5349 is: | m/s^2 | ≤ 2.5 |
| Under the customary conditions of use, the weighted effective value of the acceleration to which the body (feet or seat surface) is subjected to DIN EN ISO 2631-1 is: | m/s^2 | ≤ 0.5 |

Scrub Master Battery and Charger Chart

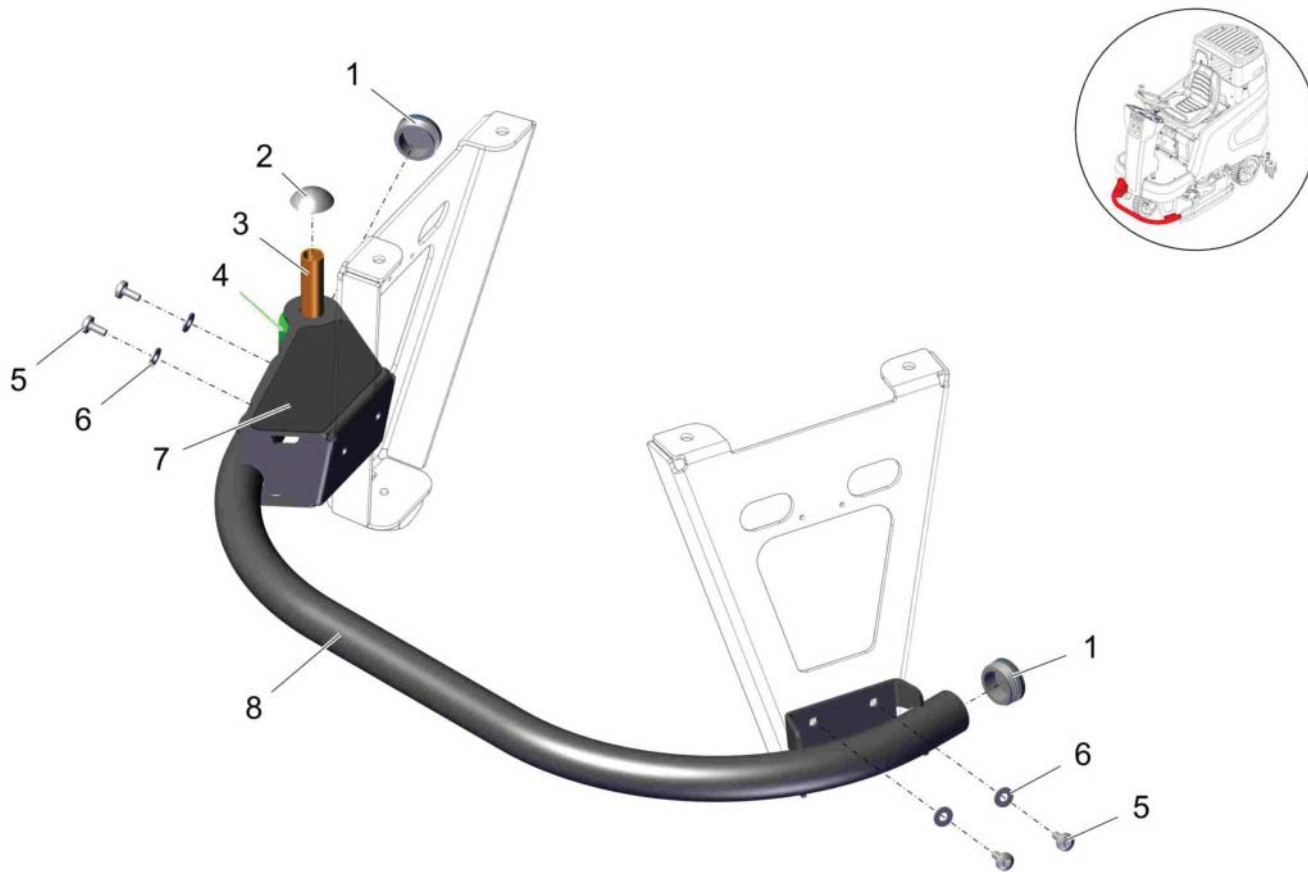
| MODEL | DESCRIPTION | BATTERY | QTY | CHARGER | QTY |
|--------------|---|---------|-----|----------|-----|
| SM3546DQP | SCRUB MASTER 46 BASE, 35" DISC | 956724 | 6 | 957750-1 | 1 |
| SM4246DQP | SCRUB MASTER 46 BASE, 42" DISC | 956724 | 6 | 957750-1 | 1 |
| SM3346CQP | SCRUB MASTER 46 BASE, 33" CYL | 956724 | 6 | 957750-1 | 1 |
| SM3346CSBQP | SCRUB MASTER 46 BASE, 33" CYL W/SB | 956724 | 6 | 957750-1 | 1 |
| SM3032DQP | SCRUB MASTER 32 BASE, 30" DISC | 956724 | 4 | 957756 | 1 |
| SM3532DQP | SCRUB MASTER 32 BASE, 35" DISC | 956724 | 4 | 957756 | 1 |
| SM2832CQP | SCRUB MASTER 32 BASE, 28" CYLINDRICAL | 956724 | 4 | 957756 | 1 |
| SM3332CQP | SCRUB MASTER 32 BASE, 33" CYLINDRICAL | 956724 | 4 | 957756 | 1 |
| SM3546DQPG | SCRUB MASTER 46 BASE, 35" DISC, AGM | 956745 | 6 | 957750-2 | 1 |
| SM4246DQPG | SCRUB MASTER 46 BASE, 42" DISC, AGM | 956745 | 6 | 957750-2 | 1 |
| SM3346CQPG | SCRUB MASTER 46 BASE, 33" CYL, AGM | 956745 | 6 | 957750-2 | 1 |
| SM3346CSBQPG | SCRUB MASTER 46 BASE, 33" CYL W/SB, AGM | 956745 | 6 | 957750-2 | 1 |
| SM3032DQPG | SCRUB MASTER 32 BASE, 30" DISC, AGM | 956745 | 4 | 957756-1 | 1 |
| SM3532DQPG | SCRUB MASTER 32 BASE, 35" DISC, AGM | 956745 | 4 | 957756-1 | 1 |
| SM2832CQPG | SCRUB MASTER 32 BASE, 28" CYL, AGM | 956745 | 4 | 957756-1 | 1 |
| SM3332CQPG | SCRUB MASTER 32 BASE, 33" CYL, AGM | 956745 | 4 | 957756-1 | 1 |

TABLE OF CONTENTS

| | |
|--|-----------|
| PREFACE | 2 |
| TECHNICAL SPECIFICATIONS | 4 |
| SCRUB MASTER BATTERY AND CHARGER CHART | 7 |
| PARTS BREAKDOWN | 10 |
| BUMPER FRONT 750-700 (97143846) | 10 |
| FRONT WHEEL DRIVE (97143648) | 11 |
| CONTROL CONSOLE (97152342) | 12 |
| CONTROL PANEL (97143564) | 14 |
| STEERING COLUMN (97152334) | 15 |
| DRIVE SENSOR (01378020) | 16 |
| STEERING (97143572) | 18 |
| FRAME 120 (97152367) | 20 |
| SEAT GROUP (97139133) | 22 |
| WATER FILTER (97143754) | 24 |
| TOOLS LIFTING DB (97145056) | 25 |
| LIFTING (97145049) | 26 |
| ROPE ASSEMBLY (97140479) | 28 |
| DISK BRUSH HEAD 75 CM (97143408) | 29 |
| DISK BRUSH HEAD 750 (97143390) | 30 |
| HEAD ROCKER (97143390_U1) | 32 |
| BRUSH HEAD ROCKER (97143556) | 34 |
| ROCKER (97143549) | 36 |
| WIPER DISK BRUSH 750 (97143275) | 38 |
| WIPER RH & LH (97143283-97143291) | 40 |
| WATER TANK STANDARD RED (97152391) | 42 |
| WATER TANK RED (97153275) | 44 |
| COVER (97152383) | 46 |
| HOSE (01370140) | 48 |
| WATER TANK (01370530) | 50 |
| HINGE (97146914) | 52 |
| SQUEEGEE LINKAGE GROUP (97142921) | 53 |
| SUCTION UNIT CONNECTION (01375210) | 54 |
| SUCTION UNIT 950MM (01279540) | 56 |
| ELECTRIC SYSTEM WITHOUT ONBOARD CHARGER (97158554) | 58 |
| ELECTRIC SYSTEM WITHOUT CHARGER (97158547) | 59 |
| ELECTRIC SYSTEM WITHOUT CHARGER, PART 1 (97158547-1) | 60 |
| ELECTRIC SYSTEM WITHOUT CHARGER, PART 2 (97158547-2) | 62 |
| WIRING HARNESS W1 (03022850) | 64 |
| COVER (97146187) | 65 |
| SPRINKLE NOZZLE INCL. HOLDER (97147185) | 66 |
| ROUGH MUD STRAINER (97132310) | 68 |

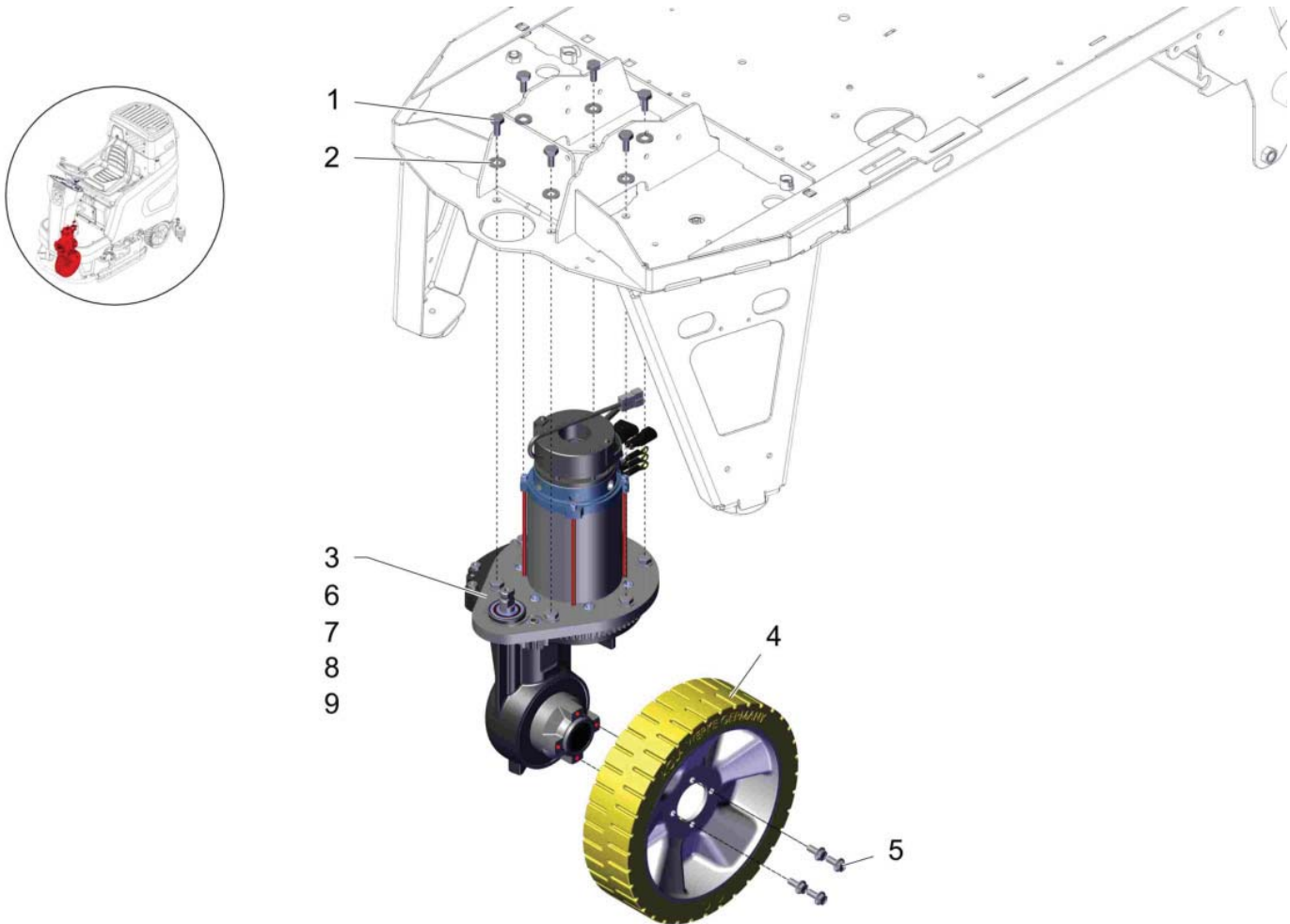
Parts Breakdown

Bumper front 750-700 (97143846)



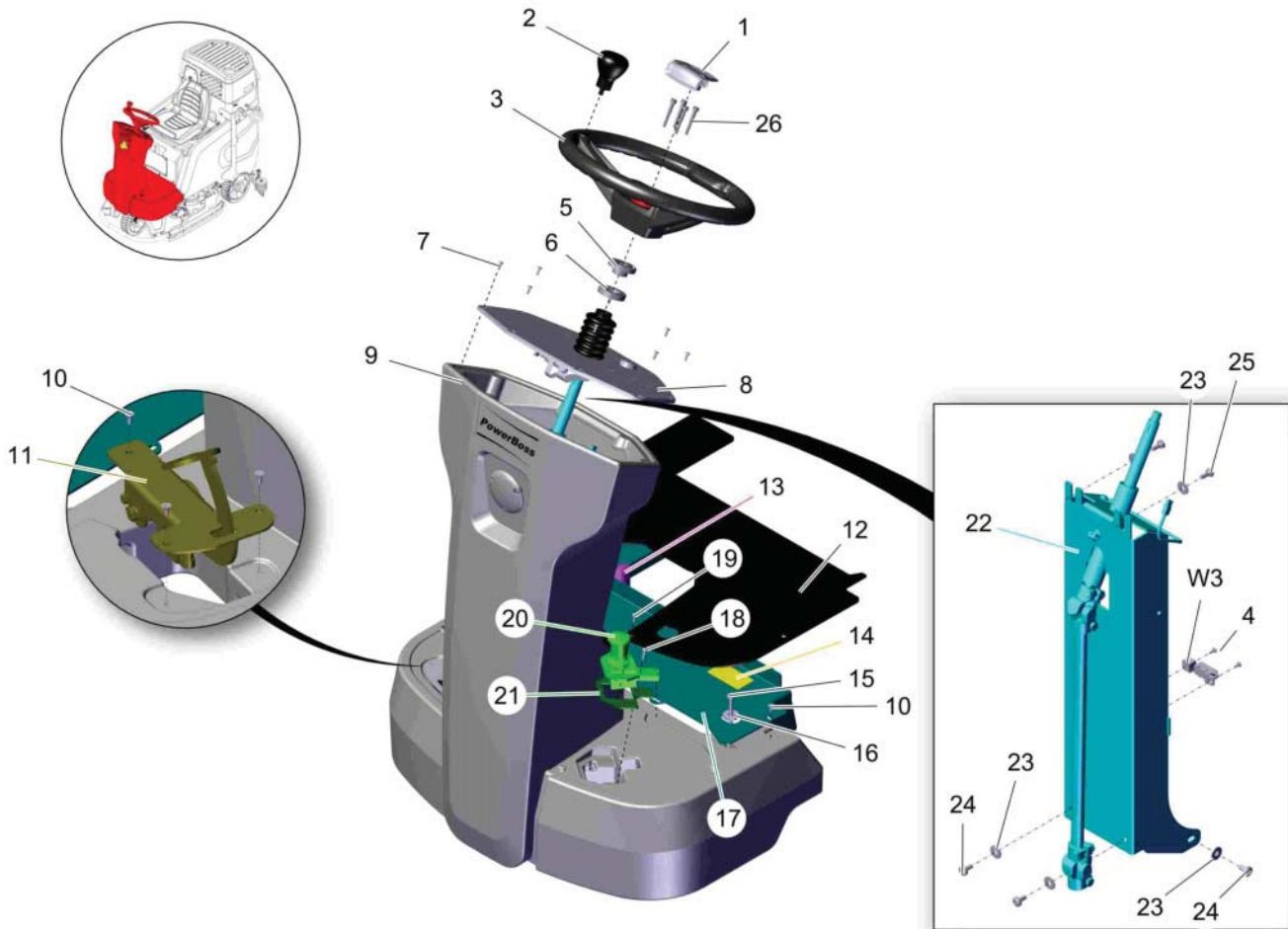
| Item | Part number | Description | Qty. | Unit | Remarks |
|------|-------------|---------------------|------|------|---------|
| 1 | 01135410 | sealing plug | 2 | | |
| 2 | 00072270 | Thrust washer | 1 | | |
| 3 | 00901590 | Pipe | 1 | | |
| 4 | 01057290 | Rejecting role | 1 | | |
| 5 | 01272710 | Lens head screw | 4 | | |
| 6 | 00740090 | Detent edged washer | 4 | | |
| 7 | 01378000 | decal | 1 | | |
| 8 | 01370060 | tube bow | 1 | | |

Front wheel drive (97143648)



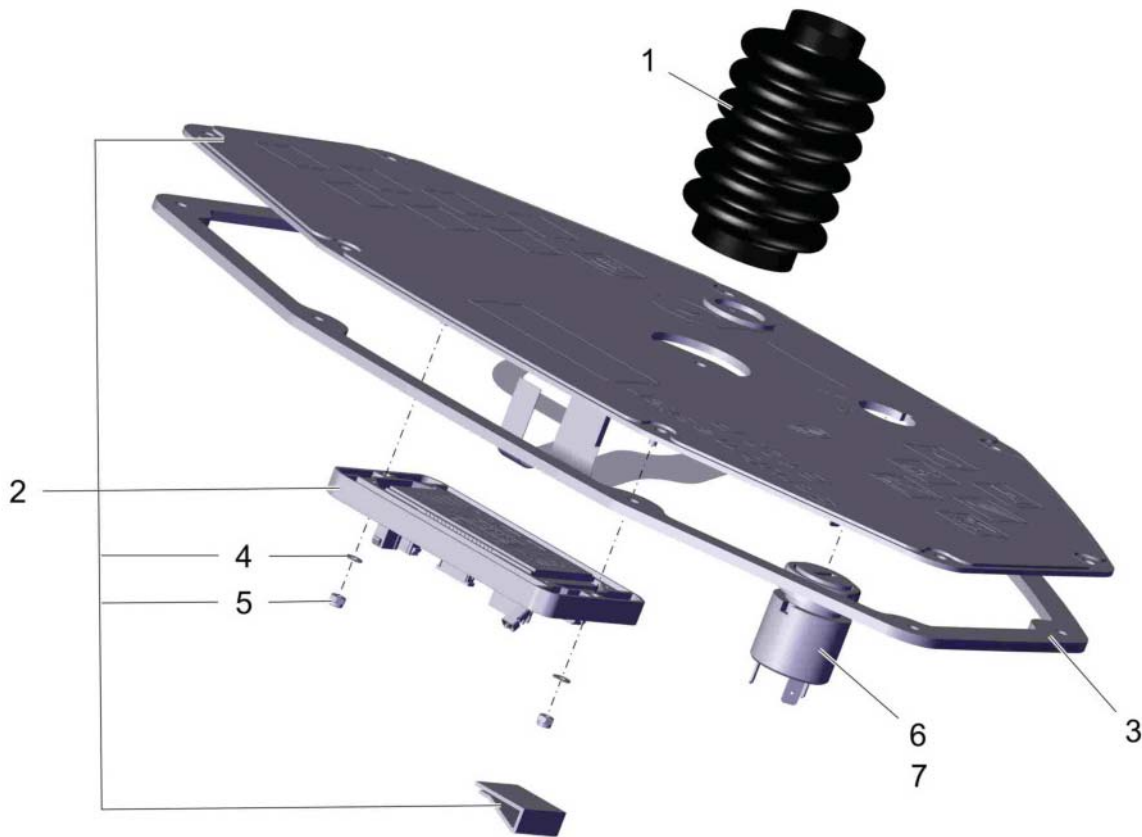
| Item | Part number | Description | Qty. | Unit | Remarks |
|------|-------------|-------------------------------|------|------|---|
| 1 | 00021130 | Hex.bolt | 6 | | |
| 2 | 00740290 | Detent edged washer | 6 | | |
| 3 | 01371130 | traction drive AC 24V / 550 W | 1 | | |
| 4 | 01175320 | Wheel | 1 | | |
| 5 | 01171260 | Hexagon screw | 4 | | |
| 6 | 01371110 | repairing set pinion | 1 | | incl. pinion, steering pinion, bolt, bearing bush, ball bearing, needle sleeve and circlips |
| 7 | 01371220 | repairing set gear | 1 | | gear incl. slewing ring bearing but without oil filling |
| 8 | 01376730 | repairing set speed sensor | 1 | | |
| 9 | 01376640 | repairing set brake | 1 | | |

Control console (97152342)



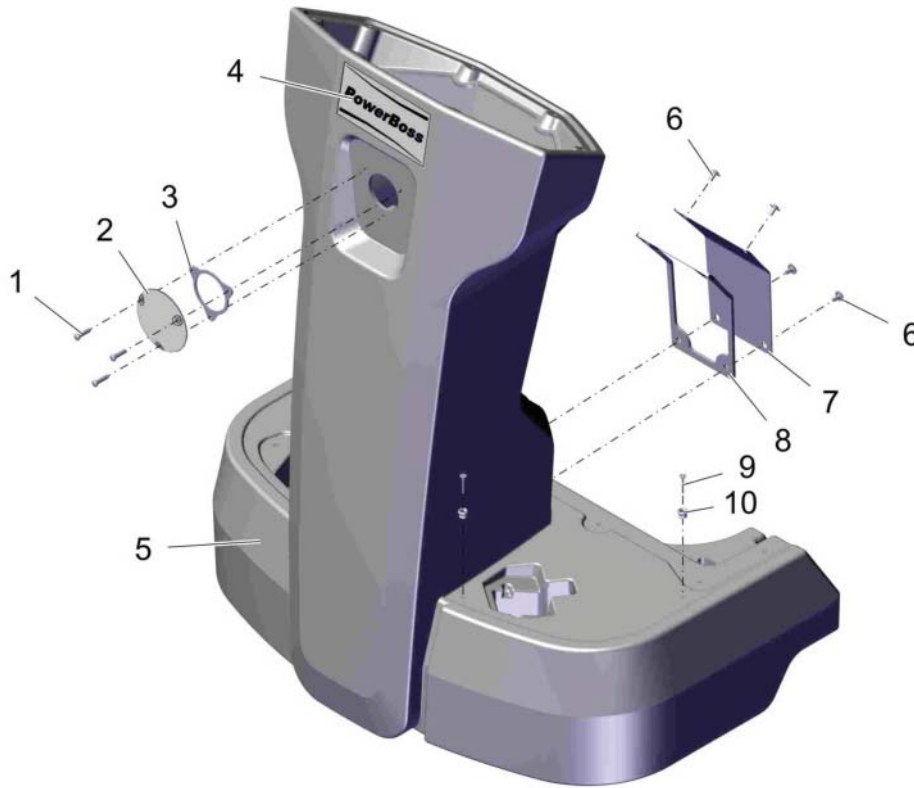
| Item | Part number | Description | Qty. | Unit | Remarks |
|------|-------------|-----------------------|-------|------|--------------------|
| 1 | 01375260 | steering wheel cab | 1 | | |
| 2 | 01370020 | knob | 1 | | |
| 3 | 01371160 | steering wheel | 1 | | incl. threaded cap |
| 4 | 01112160 | Screw | 2 | | |
| 5 | 01382520 | flange | 1 | | |
| 6 | 01382630 | ring | 1 | | |
| 7 | 01136860 | Countersunk screw | 8 | | |
| 8 | 97143564 | Control panel | 1 | | |
| 9 | 97152334 | Steering column | 1 | | |
| 10 | 01133380 | Countersunk screw | 7 | | |
| 11 | 01378020 | drive sensor | 1 | | |
| 12 | 01372580 | floor mat | 1 | | |
| 13 | 00461460 | Edge protection | 0,090 | | |
| 14 | 03003000 | Transparency | 2 | | |
| 15 | 00020370 | Hexagon screw | 2 | | |
| 16 | 00879170 | Washer | 2 | | |
| 17 | --- | Spare part on request | 1 | | 96153804 step |
| 18 | 01078160 | Screw | 2 | | |
| 19 | 00959220 | Screw | 2 | | |
| 20 | 01145750 | Foot switch | 1 | | |
| 21 | 01372900 | plate | 1 | | |
| 22 | 97143572 | Steering | 1 | | |
| 23 | 00740080 | Washer | 6 | | |
| 24 | 01272710 | Lens head screw | 4 | | |
| 25 | 00053080 | Hexagon screw | 2 | | |
| 26 | 01382410 | socket head screw | 1 | | |
| W3 | 03019180 | wiring harness W3 | 1 | | |

Control panel (97143564)



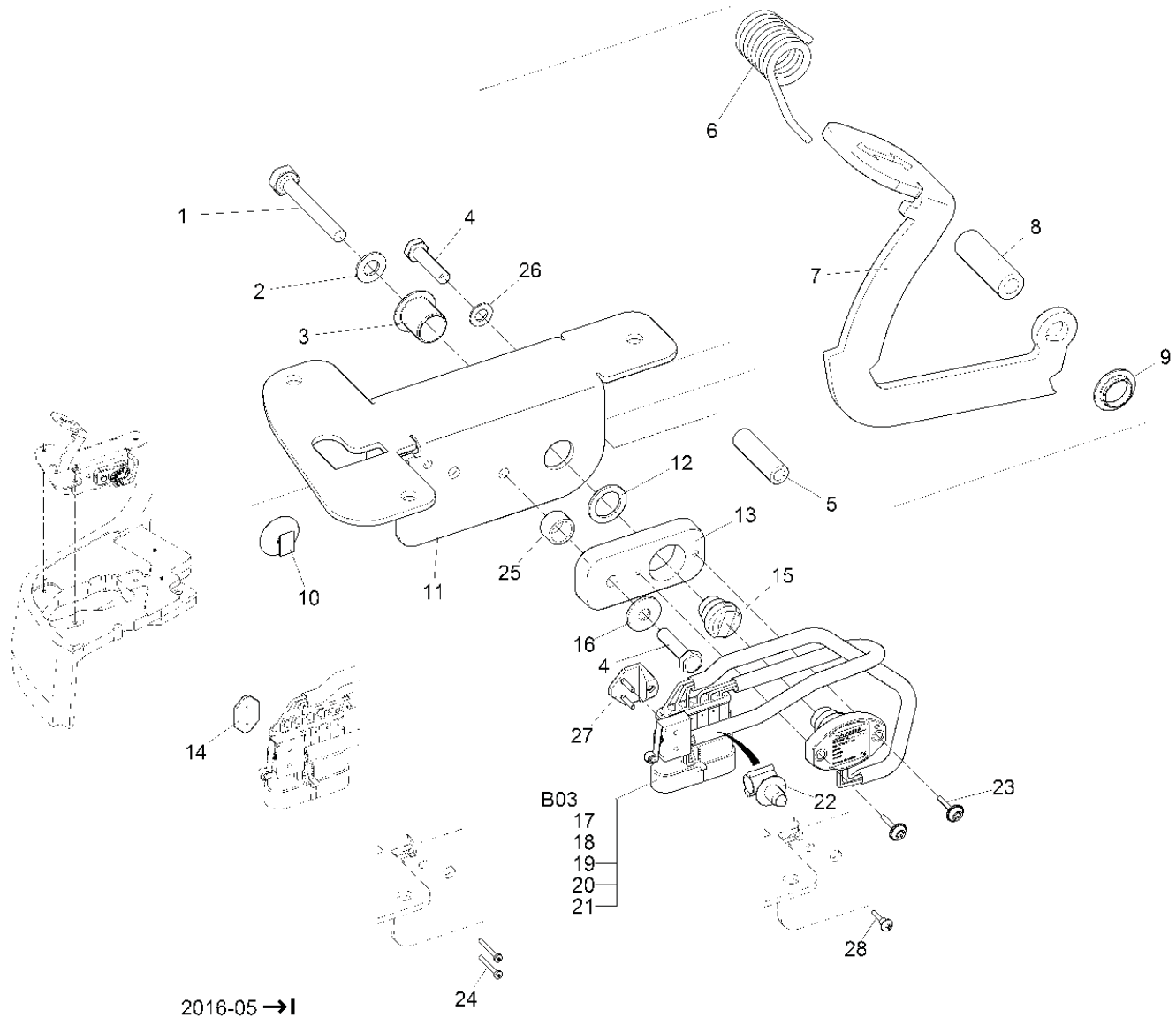
| Item | Part number | Description | Qty. | Unit | Remarks |
|------|-------------|----------------|------|------|---------|
| 1 | 01054880 | Bellows | 1 | | |
| 2 | 01370600 | control panel | 1 | | |
| 3 | 01372300 | gasket | 1 | | |
| 4 | 00553740 | Washer | 2 | | |
| 5 | 00022200 | Hex. Nut | 2 | | |
| 6 | 00021710 | Key switch | 1 | | |
| 7 | 00745890 | Set (2pc.) key | 1 | | |

Steering column (97152334)



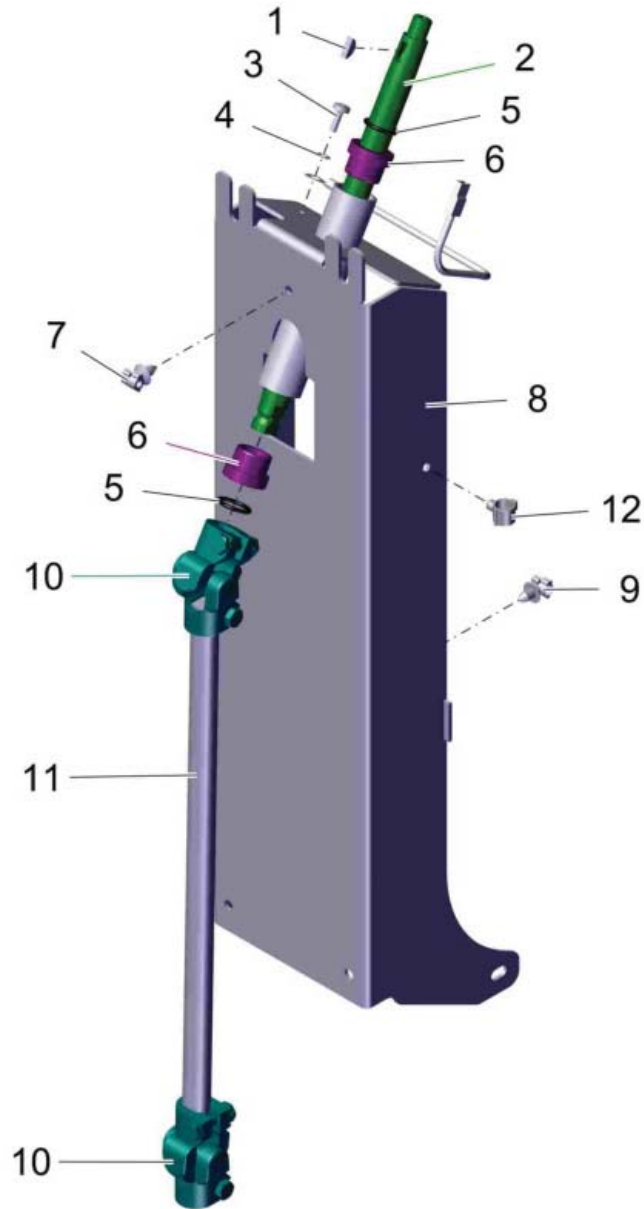
| Item | Part number | Description | Qty. | Unit | Remarks |
|------|-------------|-----------------------|------|------|--------------|
| 1 | 01078160 | Screw | 3 | | |
| 2 | --- | Spare part on request | 1 | | 90535972 cap |
| 3 | 01072000 | Seal | 1 | | |
| 4 | 03008970 | Decal POWERBOSS | 1 | | |
| 5 | 03018970 | steering column | 1 | | |
| 6 | 01072520 | Lens flange screw | 4 | | |
| 7 | 01382150 | cover | 1 | | |
| 8 | 01381960 | gasket | 1 | | |
| 9 | 01073120 | Amtec screw | 4 | | |
| 10 | 01073130 | Knob | 4 | | |

Drive sensor (01378020)



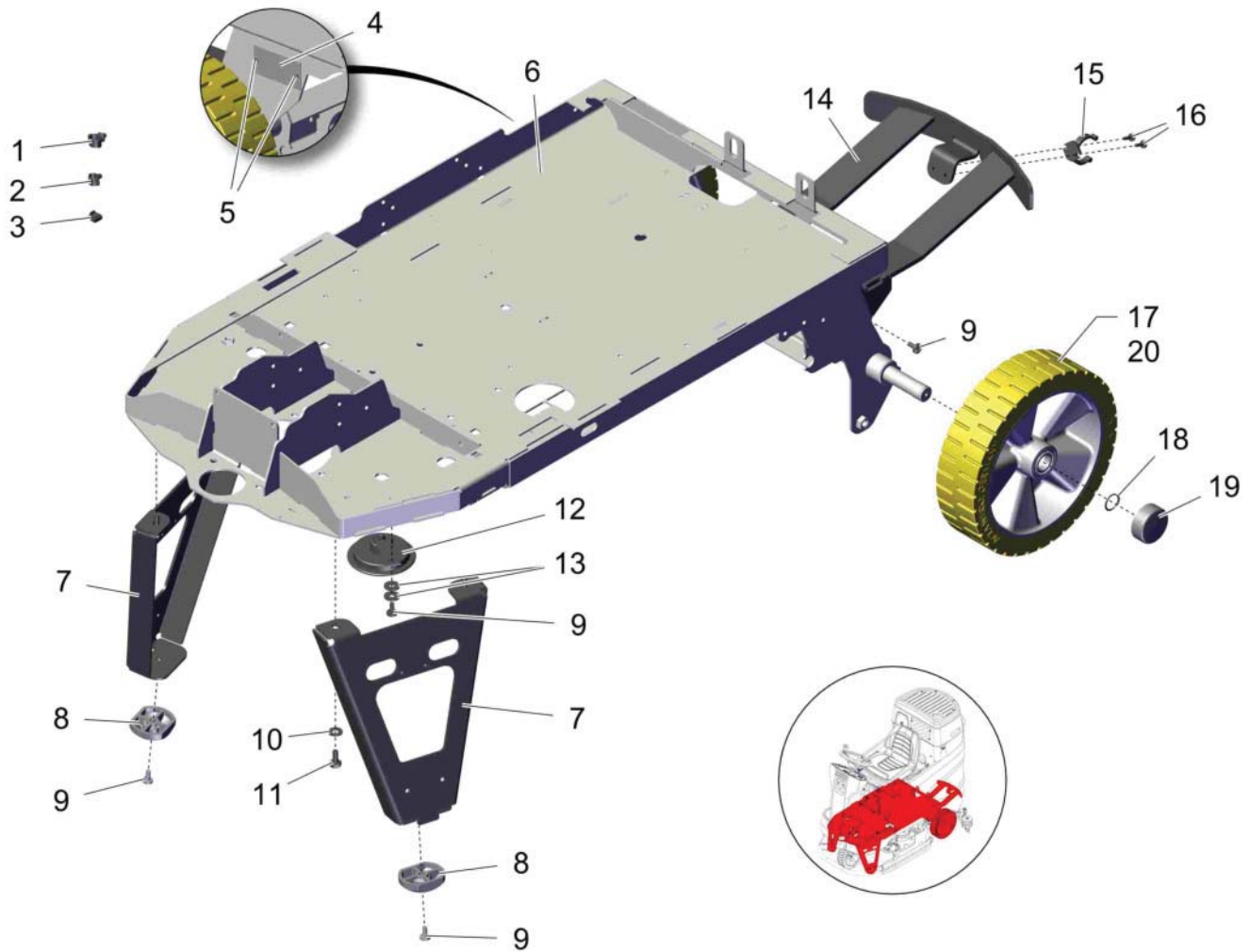
| Item | Part number | Description | Qty. | Unit | Remarks |
|------|-------------|-----------------------|-------|------|----------------------------|
| 1 | 00523790 | Hex.bolt | 1 | | |
| 2 | 00101550 | Washer | 1 | | |
| 3 | 00740190 | Slide bearing bush | 1 | | |
| 4 | 00133130 | Screw | 2 | | |
| 5 | 01064890 | Hose | 0,040 | | |
| 6 | 01277850 | Leg spring | 1 | | |
| 7 | 01372710 | accelerator pedal | 1 | | |
| 8 | 01372690 | clamping bush | 1 | | |
| 9 | 01055150 | Slide bearing bush | 1 | | |
| 10 | 01278080 | Mounting clip | 1 | | |
| 11 | 01372700 | pedal retainer | 1 | | |
| 12 | 01372160 | starting disk | 1 | | |
| 13 | 01372170 | retainer | 1 | | |
| 14 | 01473610 | Threaded plate | 1 | | til appr. 2016-05 |
| 15 | --- | Spare part on request | 1 | | 96145941 Solenoid retainer |
| 16 | 00854210 | Washer | 1 | | |
| 17 | 01006190 | Seal | 6 | | |
| 18 | 01141370 | Hose | 0,420 | | |
| 19 | 00696680 | Micro switch | 1 | | |
| 20 | 03003250 | Pin housing | 1 | | |
| 21 | 01006210 | Pin contact | 6 | | |
| 22 | 01493500 | Retainer | 1 | | |
| 23 | 01078860 | Screw | 2 | | |
| 24 | 01141220 | Lens head screw | 2 | | til appr. 2016-05 |
| 25 | 00901550 | Bushing | 1 | | |
| 26 | 00053730 | Washer | 1 | | |
| 27 | 01372180 | retainer | 1 | | from appr. 2016-06 |
| 28 | 00902430 | Screw | 1 | | from appr. 2016-06 |
| B03 | 01277740 | Angle sensor | 1 | | incl. pos. 17-21! |

Steering (97143572)



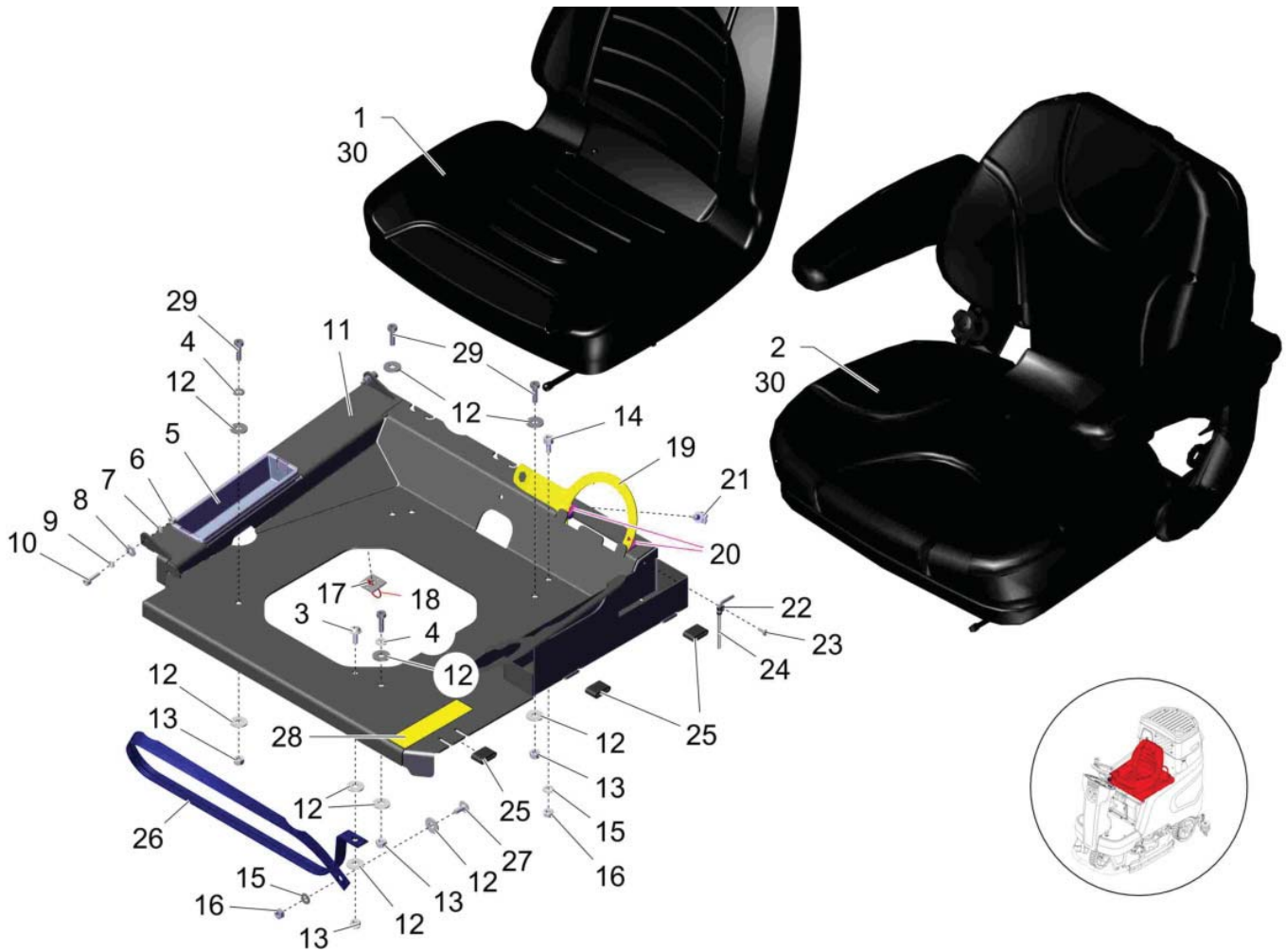
| Item | Part number | Description | Qty. | Unit | Remarks |
|------|-------------|-----------------------|------|------|---------------------------|
| 1 | 00701170 | Woodruff key | 1 | | |
| 2 | 01377370 | shaft | 1 | | |
| 3 | 00539730 | Screw | 1 | | |
| 4 | 01072030 | Toothed washer | 1 | | |
| 5 | 00554400 | O-ring oil resistant | 2 | | |
| 6 | 00523630 | Bushing | 2 | | |
| 7 | 01493440 | Retainer | 1 | | |
| 8 | --- | Spare part on request | 1 | | 96152111 steering carrier |
| 9 | 01493500 | Retainer | 1 | | |
| 10 | 00746040 | Cardan joint | 2 | | |
| 11 | --- | Spare part on request | 1 | | 90687856 shaft |
| 12 | 01494500 | support | 1 | | |

Frame 120 (97152367)



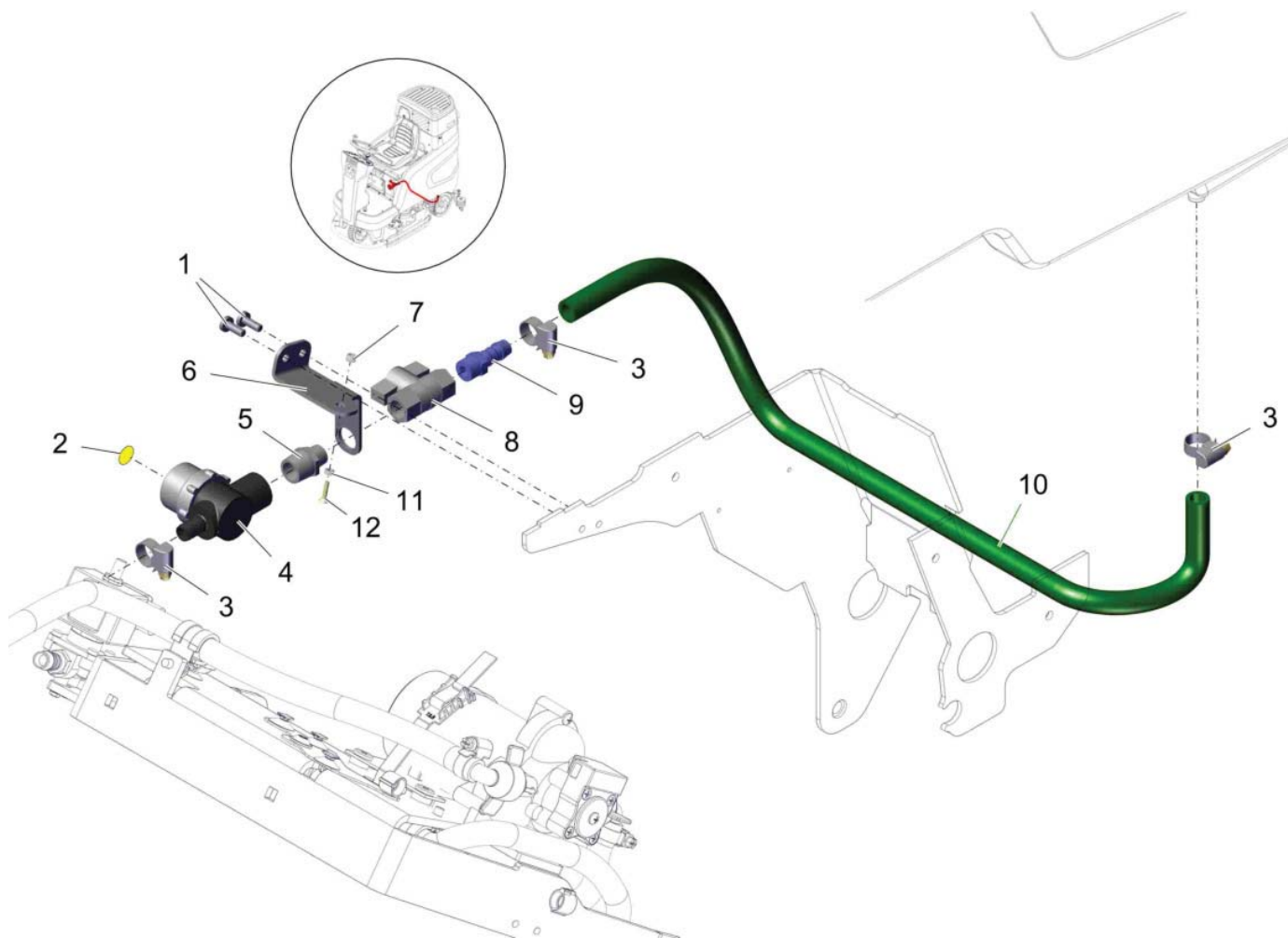
| Item | Part number | Description | Qty. | Unit | Remarks |
|------|-------------|---------------------------------|------|------|---------------|
| 1 | 01370710 | retainer holder corrugated hose | 11 | | |
| 2 | 01494500 | support | 11 | | |
| 3 | 01154830 | Cage nut | 2 | | |
| 4 | 03008410 | Type plate POWERBOSS | 1 | | |
| 5 | 00504370 | Blind rivet | 2 | | |
| 6 | 03021730 | chassis B120 R | 1 | | |
| 7 | --- | Spare part on request | 2 | | 92006204 stay |
| 8 | 01371320 | stay | 2 | | |
| 9 | 01272710 | Lens head screw | 5 | | |
| 10 | 00740290 | Detent edged washer | 4 | | |
| 11 | 00021130 | Hex.bolt | 4 | | |
| 12 | 01133200 | Horn | 1 | | |
| 13 | 00042900 | Washer | 2 | | |
| 14 | 01374980 | bumper rear | 1 | | |
| 15 | 01078120 | Hose support | 1 | | |
| 16 | 00539730 | Screw | 2 | | |
| 17 | 01071650 | Wheel | 2 | | |
| 18 | 00022460 | Retaining ring | 2 | | |
| 19 | 01171530 | Cap | 2 | | |
| 20 | 00281050 | Deep groove ball bearing | 2 | | |

Seat group (97139133)



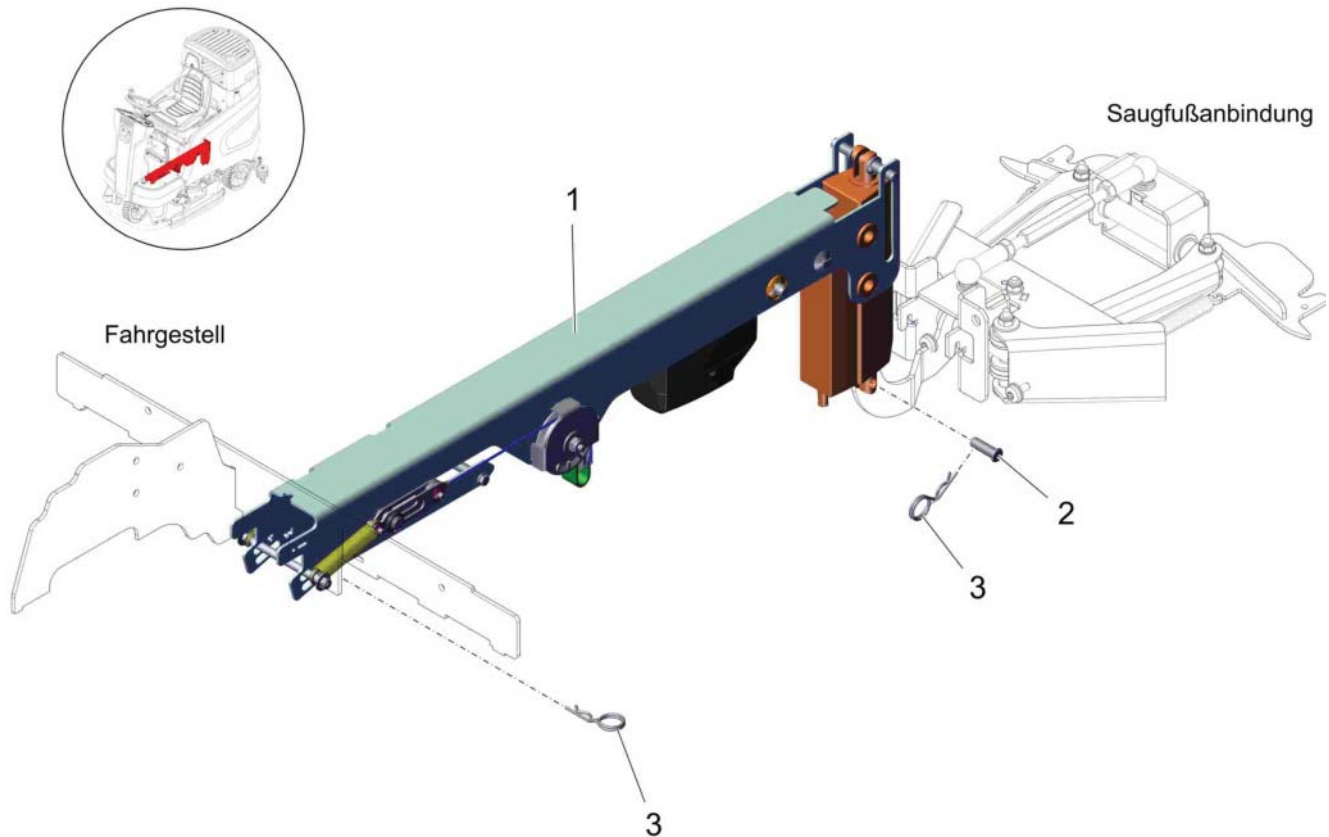
| Item | Part number | Description | Qty. | Unit | Remarks |
|------|-------------|-----------------------|-------|------|-----------------------------|
| 1 | 01277650 | seat | 1 | | |
| 2 | 01370010 | driver seat | 1 | | |
| 3 | 01000670 | Lens flange screw | 2 | | |
| 4 | 00053750 | Washer | 3 | | |
| 5 | 01169470 | storage bowl | 1 | | |
| 6 | 00102140 | Hex. Nut | 2 | | |
| 7 | 00102150 | Washer | 2 | | |
| 8 | 00854210 | Washer | 2 | | |
| 9 | 00137700 | Spring ring | 2 | | |
| 10 | 00694790 | Socket head screw | 2 | | |
| 11 | 03022980 | seat sheet metal | 1 | | |
| 12 | 00042900 | Washer | 7 | | |
| 13 | 00051510 | Hex. Nut | 5 | | |
| 14 | 00154410 | Cylinder head screw | 1 | | with comfort seat |
| 15 | 00740310 | Washer | 2 | | with comfort seat |
| 16 | 00053350 | Hex. Nut | 2 | | with comfort seat |
| 17 | 01178010 | Attachment base | 1 | | |
| 18 | 00121010 | Cable tie | 1 | | |
| 19 | 01277720 | Key | 1 | | |
| 20 | 00800100 | Edge protection | 0,040 | | |
| 21 | 01493440 | Retainer | 1 | | |
| 22 | 00903290 | Tube clamp | 1 | | |
| 23 | 00501420 | Screw | 1 | | |
| 24 | --- | Spare part on request | 1 | | 92017755 socket head wrench |
| 25 | 00460890 | Hose | 0,060 | | |
| 26 | 01055740 | Webbing | 1 | | |
| 27 | 01006820 | Lens flange screw | 1 | | |
| 28 | 01372590 | decal REFERENCES | 1 | | |
| 29 | 00102790 | Cylinder head screw | 4 | | |
| 30 | 01277700 | Seat contact switch | 1 | | |

Water filter (97143754)



| Item | Part number | Description | Qty. | Unit | Remarks |
|------|-------------|-----------------------|-------|------|-------------------|
| 1 | 00539730 | Screw | 2 | | |
| 2 | 01179160 | Decal yellow point | 1 | | |
| 3 | 01015350 | Hose clamp | 3 | | |
| 4 | 01277880 | Filter | 1 | | |
| 5 | 00521140 | Double nipple | 1 | | |
| 6 | --- | Spare part on request | 1 | | 90697335 retainer |
| 7 | 00133830 | Hex. Nut | 1 | | |
| 8 | 00952760 | Ball tap | 1 | | |
| 9 | 00976140 | Screwed plug | 1 | | |
| 10 | 00112010 | Hose | 0,780 | | |
| 11 | 00052810 | Hex. Nut | 1 | | |
| 12 | 00051890 | Countersunk screw | 1 | | |

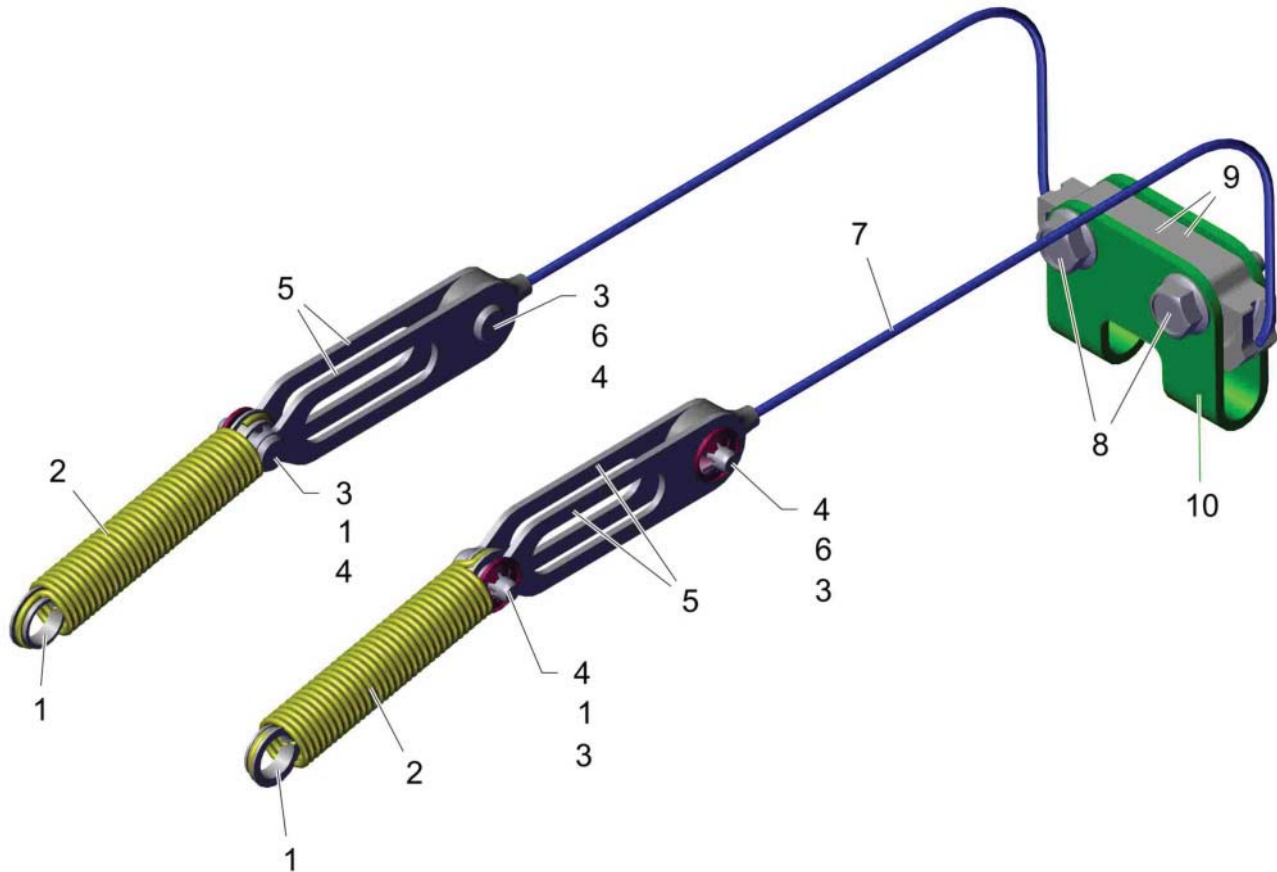
Tools lifting DB (97145056)



| Item | Part number | Description | Qty. | Unit | Remarks |
|------|-------------|-------------|------|------|---------|
| 1 | 97145049 | Lifting | 1 | | |
| 2 | 00043450 | Clevis pin | 1 | | |
| 3 | 00744820 | Cotter pin | 2 | | |

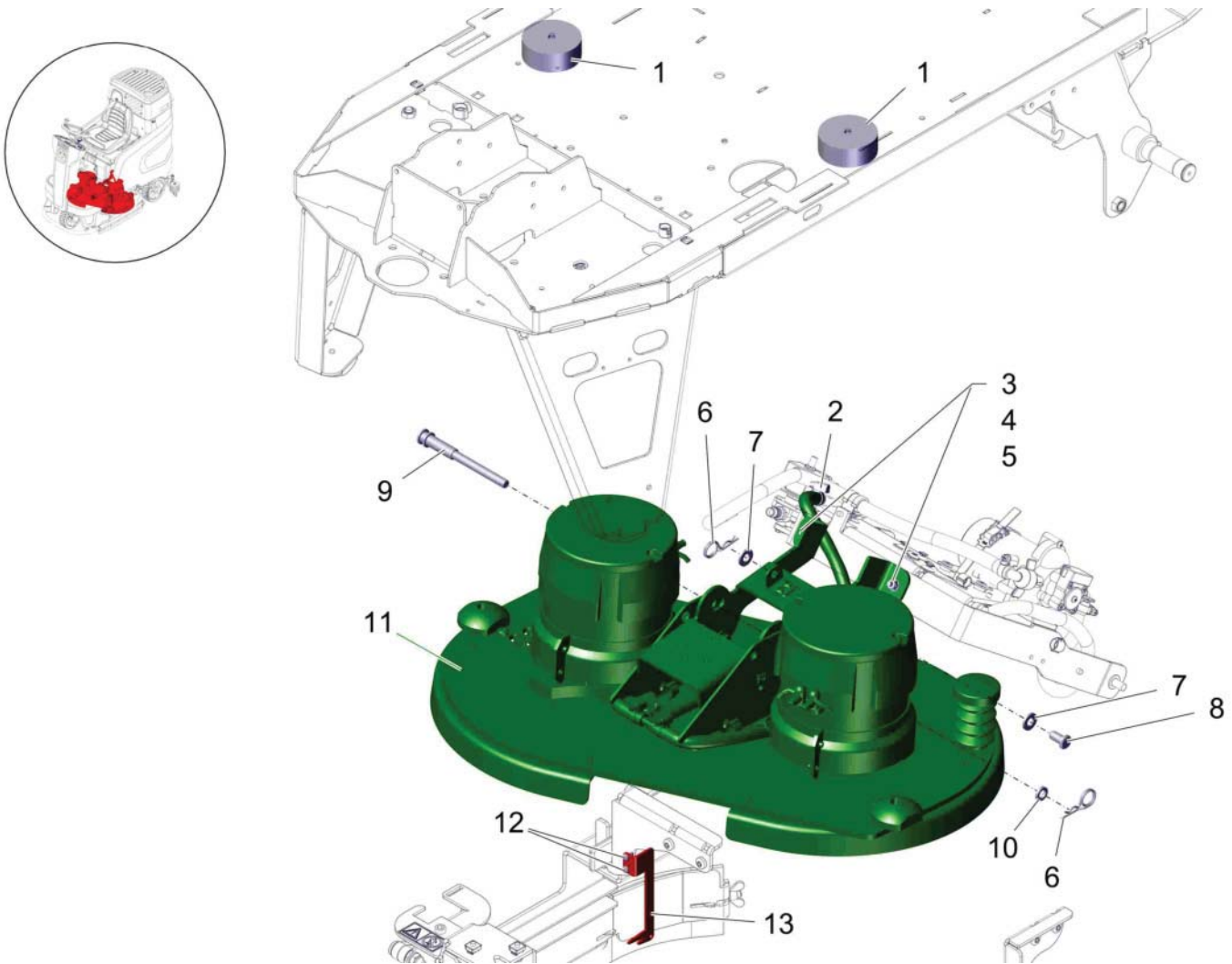
| Item | Part number | Description | Qty. | Unit | Remarks |
|------|-------------|-----------------------|-------|------|------------------|
| 1 | --- | Spare part on request | 4 | | 90698895 bushing |
| 2 | 01072930 | Slide bearing bush | 2 | | |
| 3 | 01370110 | lifting element | 1 | | |
| 4 | 01371000 | bolt | 1 | | |
| 5 | 00072440 | Circlip | 2 | | |
| 6 | 01370970 | hexagon srew | 1 | | |
| 7 | 00135120 | Washer | 2 | | |
| 8 | 01015400 | Pipe | 0,100 | | |
| 9 | 00051520 | Hex. Nut | 2 | | |
| 10 | 00053730 | Washer | 2 | | |
| 11 | 01371030 | spacer tube | 1 | | |
| 12 | 00555460 | Hex.bolt | 1 | | |
| 13 | 97140479 | Rope assembly | 1 | | |
| 14 | 00521270 | Roller | 2 | | |
| 15 | 01371020 | bushing | 2 | | |
| 16 | 01370980 | rope assurance | 2 | | |
| 17 | 00054690 | Hexagon screw | 2 | | |
| 18 | 00042900 | Washer | 4 | | |
| 19 | 00051510 | Hex. Nut | 2 | | |
| 20 | 01370990 | retainer | 1 | | |
| 21 | 01078040 | Bolt | 1 | | |
| 22 | 00102390 | Cylinder pin | 1 | | |
| 23 | 00852380 | Thrust washer | 2 | | |
| 24 | 00156690 | Cable sleeve | 4 | | |
| 25 | 01370030 | lifting element | 1 | | |
| 26 | 00706180 | Thrust washer | 1 | | |
| 27 | 00744820 | Cotter pin | 1 | | |
| 28 | 00901510 | Bolt | 1 | | |
| 29 | 00151200 | Washer | 2 | | |
| 30 | 01371010 | rope | 1 | | |
| 31 | 01278080 | Mounting clip | 1 | | |

Rope assembly (97140479)



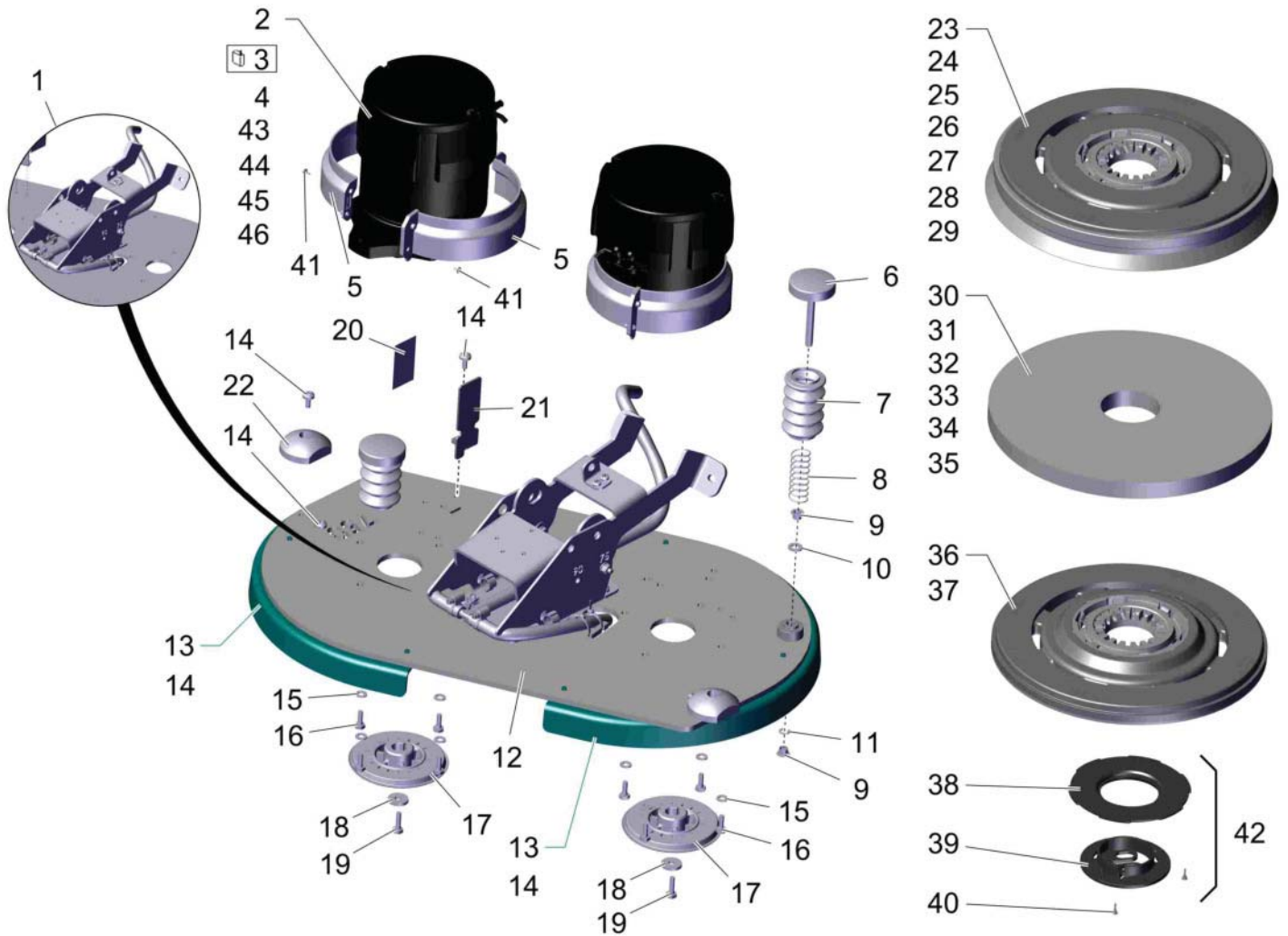
| Item | Part number | Description | Qty. | Unit | Remarks |
|------|-------------|-----------------|------|------|---------|
| 1 | 00737670 | Slide bearing | 2 | | |
| 2 | 01371090 | tension spring | 2 | | |
| 3 | 00023290 | Thrust washer | 4 | | |
| 4 | 00736570 | Bolt | 4 | | |
| 5 | 01371080 | lug | 1 | | |
| 6 | 00862430 | Bushing | 2 | | |
| 7 | 01371060 | rope | 1 | | |
| 8 | 01371040 | screw | 2 | | |
| 9 | 01371070 | cable guide | 2 | | |
| 10 | 01371050 | roller assembly | 1 | | |

Disk brush head 75 cm (97143408)



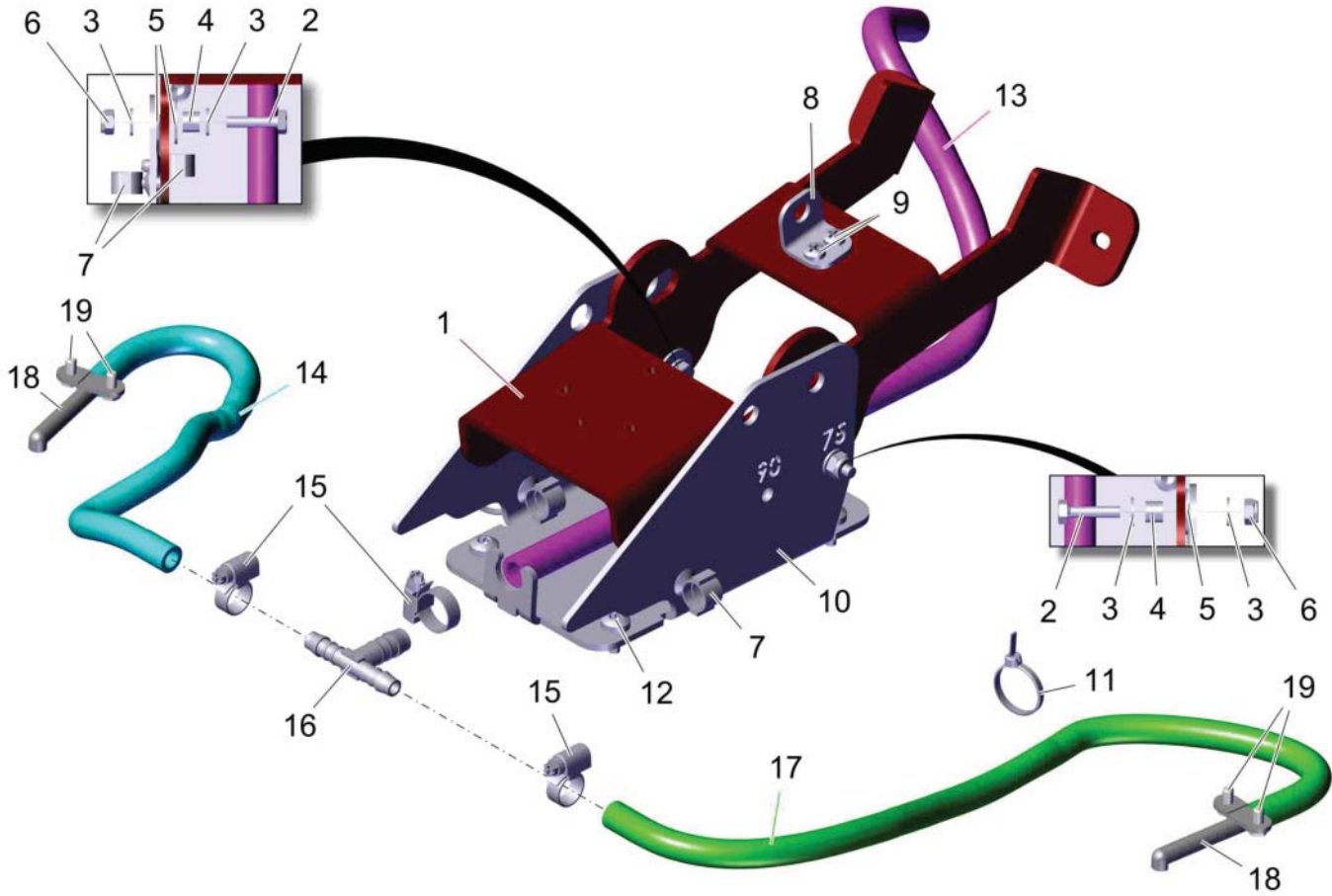
| Item | Part number | Description | Qty. | Unit | Remarks |
|------|-------------|-----------------------|------|------|------------------|
| 1 | 01278160 | Buffer | 2 | | |
| 2 | 01015350 | Hose clamp | 1 | | |
| 3 | 01103290 | Round head screw | 2 | | |
| 4 | 00053750 | Washer | 2 | | |
| 5 | 00051510 | Hex. Nut | 2 | | |
| 6 | 00744820 | Cotter pin | 2 | | |
| 7 | 00151200 | Washer | 2 | | |
| 8 | 00901510 | Bolt | 1 | | |
| 9 | 01370670 | bolt | 1 | | |
| 10 | --- | Spare part on request | 1 | | 90698895 bushing |
| 11 | 97143390 | Disk brush head 750 | 1 | | |
| 12 | 00959220 | Screw | 2 | | |
| 13 | 01370690 | indicator | 1 | | |

Disk brush head 750 (97143390)



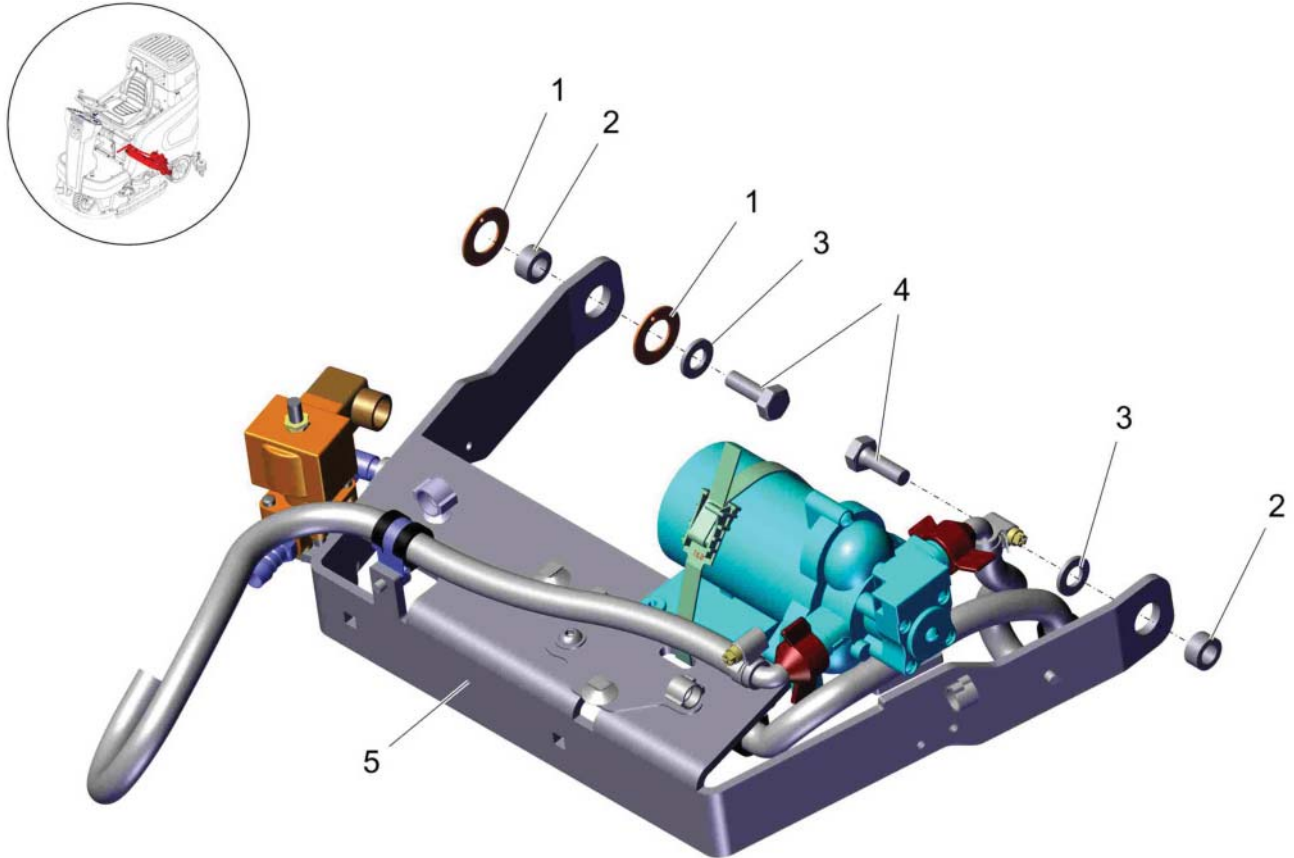
| Item | Part number | Description | Qty. | Unit | Remarks |
|------|--------------------|--|-------------|-----------|---|
| 1 | 97143390_U1 | Head rocker | Page | 36 | |
| 2 | 01272060 | Motor Amer 710W 24V | 2 | | |
| 3 | 01272100 | Set (4pc.) carbon brush | 1 | | |
| 4 | 01377320 | fitting key | | | |
| 5 | 01271080 | Splash guard | 4 | | |
| 6 | 01078000 | Ejector | 2 | | |
| 7 | 01078350 | Bellows | 2 | | |
| 8 | 01078340 | Compression spring | 2 | | |
| 9 | 01130590 | Slide bearing bush | 4 | | |
| 10 | 00053760 | Washer | 2 | | |
| 11 | 00046280 | Thrust washer | 2 | | |
| 12 | 01370770 | plate 750 | 1 | | |
| 13 | 01370730 | covering | 2 | | |
| 14 | 01272710 | Lens head screw | 11 | | |
| 15 | 00053750 | Washer | 8 | | |
| 16 | 00704610 | Hex.bolt | 8 | | |
| 17 | 00512400 | Driver | 1 | | |
| 18 | 00879170 | Washer | 2 | | |
| 19 | 00025000 | Hex.bolt | 2 | | |
| 20 | --- | Spare part on request | 1 | | 17268491 |
| 21 | 01370720 | retainer | 1 | | |
| 22 | 01371320 | stay | 2 | | |
| 23 | 99751405 | disk brush 15(380) PPN0,5 | 2 | | Degree of dirt: Light to medium |
| 24 | 99751805 | disk brush 15(380) K901 | 2 | | Degree of dirt: Light to medium on structured floors |
| 25 | 99768405 | disk brush 15(380) 5-Komp. | 2 | | Specially for use on structured car park floors |
| 26 | 99751605 | disk brush 15(380) PPN0,8 | 2 | | Degree of dirt: Medium to heavy |
| 27 | 99730805 | disk brush 15(380) SIC K600 | 2 | | Degree of dirt: Medium to heavy, structured floors |
| 28 | 99752005 | disk brush 15" (38cm) SIC K180 | 2 | | Very heavy dirt and basic cleaning |
| 29 | 99752205 | disk brush 15(380) SIC K120 | 2 | | Extremely heavy dirt and basic cleaning |
| 30 | 99752605 | Super-pad 15(380) red (5pc) | 1 | | Light dirt |
| 31 | 99768905 | Super-pad 15(380) blue (5pc) | 1 | | Degree of dirt: light to medium, maintenance cleaning |
| 32 | 99787205 | Super-pad 15(380) green (5pc) | 1 | | Medium dirt and maintenance cleaning |
| 33 | 99752805 | Super-pad 15(380) brown (5pc) | 1 | | Maintenance cleaning |
| 34 | 99753005 | Super-pad 15(380) black (5pc) | 1 | | Basic cleaning and heavy dirt |
| 35 | 99708602 | Micro-fibre-pad 15(380) | 1 | | |
| 36 | 99752405 | pad holder 15(380) | 2 | | incl. item 42 (38-40) |
| 37 | 99752455 | disk brush 15(380) bristles | 2 | | incl. item 42 (38-40) |
| 38 | 00681500 | Center-lock, lower part | 1 | | |
| 39 | 00681490 | Center-lock, upper part | 1 | | |
| 40 | 00961490 | Screw | 3 | | |
| 41 | 01170850 | Screw | 8 | | |
| 42 | 00712010 | Center-lock, cpl. | 1 | | incl. items 38-40 |
| 43 | 01279770 | carbon brush housing with thermal switch | 1 | | |
| 44 | 03503140 | rotor | 1 | | |
| 45 | 03503030 | gear | 1 | | |
| 46 | 01372490 | plastic cover | 1 | | |

Head Rocker (97143390_U1)



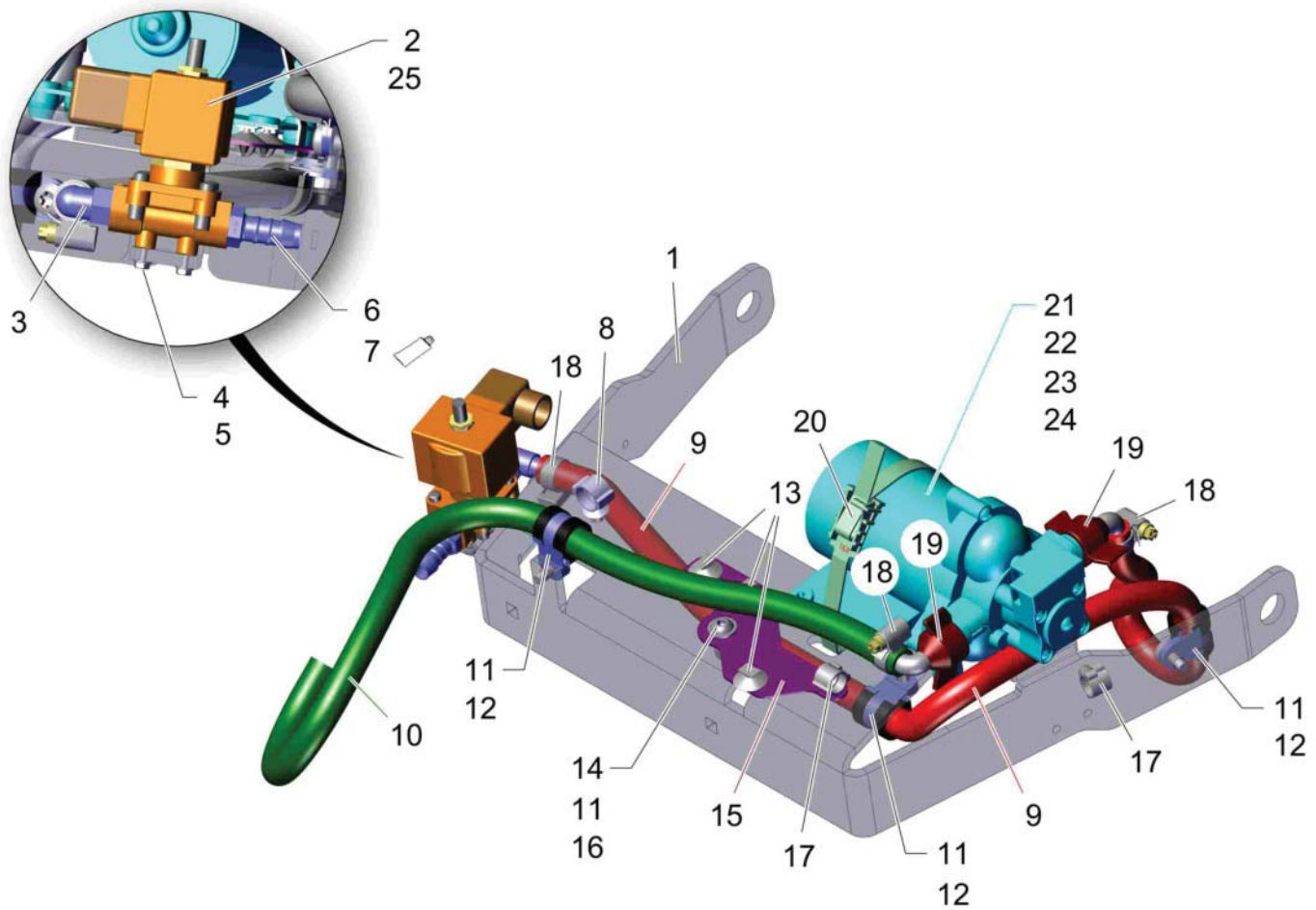
| Item | Part number | Description | Qty. | Unit | Remarks |
|------|-------------|---------------------------------|-------|------|---------|
| 1 | 01370760 | rocker | 1 | | |
| 2 | 00053110 | Hexagon screw | 2 | | |
| 3 | 00053750 | Washer | 4 | | |
| 4 | 00733400 | Spacer sleeve | 2 | | |
| 5 | 01102770 | Approach disk | 3 | | |
| 6 | 00051510 | Hex. Nut | 2 | | |
| 7 | 01370710 | retainer holder corrugated hose | 4 | | |
| 8 | 01370740 | retainer | 1 | | |
| 9 | 00539730 | Screw | 2 | | |
| 10 | 01370750 | metal sheet | 1 | | |
| 11 | 00967760 | Cable tie | 4 | | |
| 12 | 01272710 | Lens head screw | 4 | | |
| 13 | 00112010 | Hose | 0,620 | | |
| 14 | 00562480 | Spiral hose | 0,380 | | |
| 15 | 01015350 | Hose clamp | 3 | | |
| 16 | 00901310 | T-reducer muff | 1 | | |
| 17 | 00562480 | Spiral hose | 0,540 | | |
| 18 | 00861700 | Spray tube | 2 | | |
| 19 | 01171270 | Screw | 4 | | |

Brush head rocker (97143556)



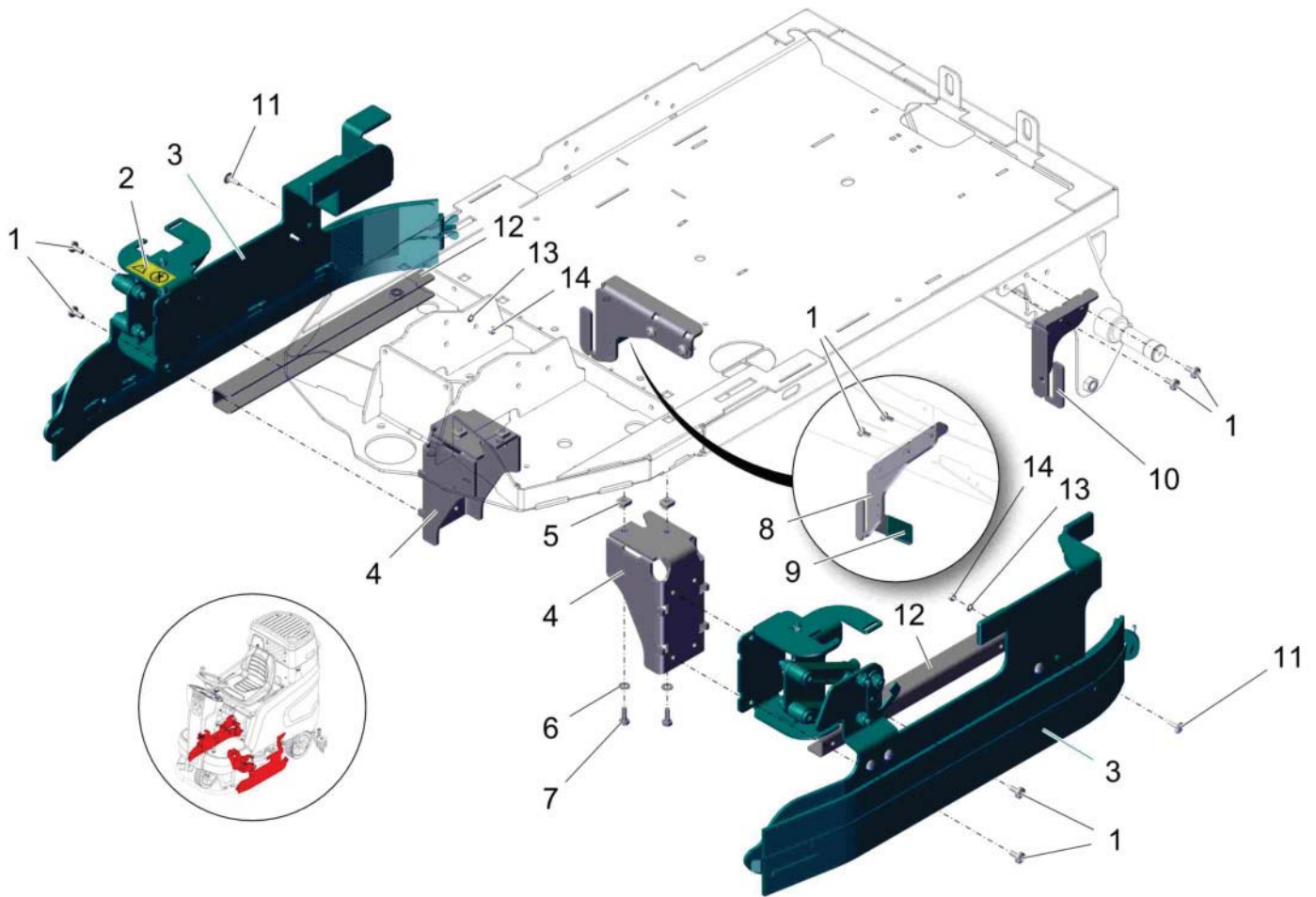
| Item | Part number | Description | Qty. | Unit | Remarks |
|-------------|--------------------|--------------------|-------------|-------------|----------------|
| 1 | 01133780 | Starting disk | 2 | | |
| 2 | 01370780 | bushing | 2 | | |
| 3 | 00053770 | Washer | 2 | | |
| 4 | 00053200 | Hex.bolt | 2 | | |
| 5 | 97143549 | Rocker | 1 | | |

Rocker (97143549)



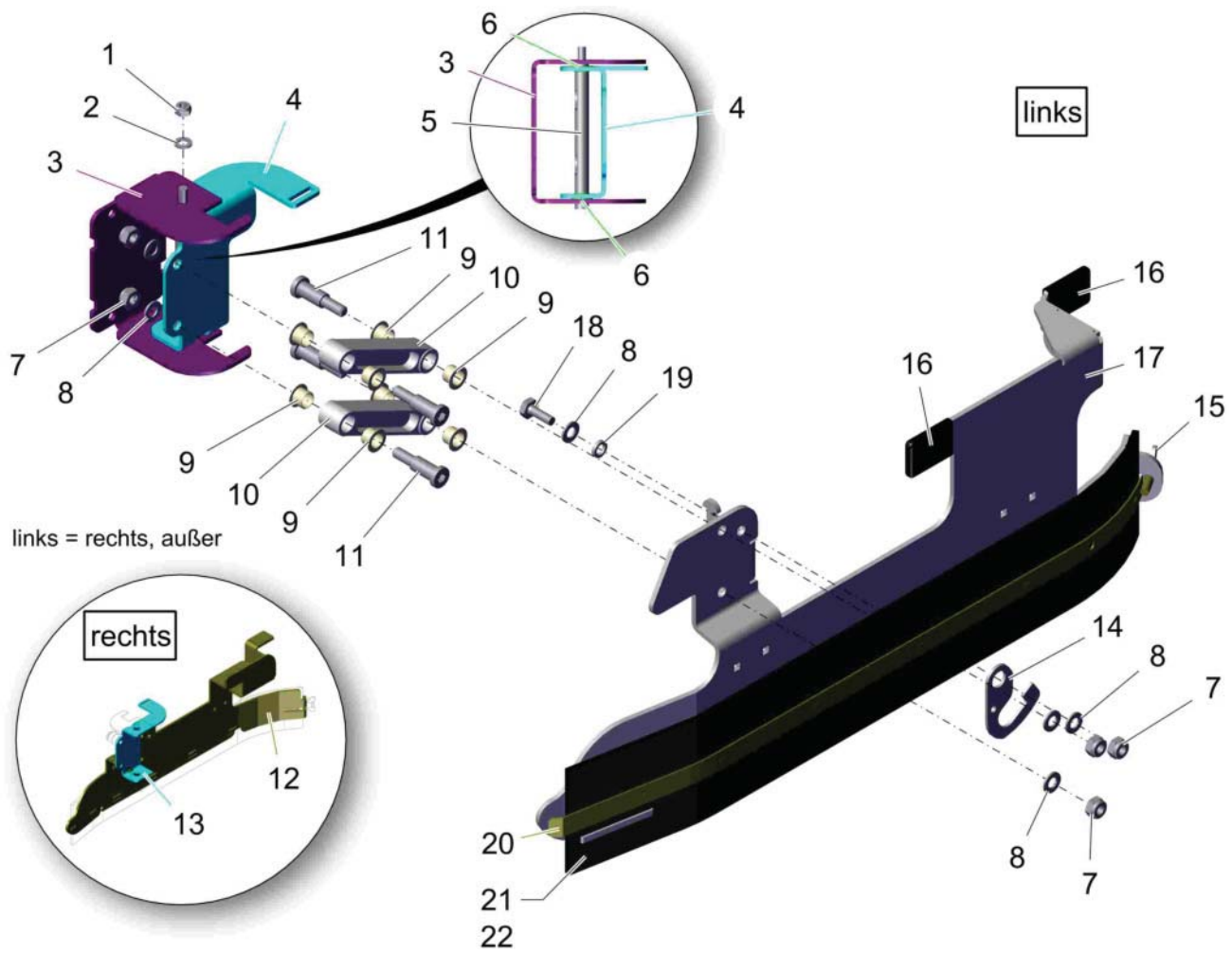
| Item | Part number | Description | Qty. | Unit | Remarks |
|------|-------------|---------------------------------|------|------|---------|
| 1 | 01370790 | rocker | 1 | | |
| 2 | 01071000 | Electrovalve | 1 | | |
| 3 | 00020020 | Angle socket | 1 | | |
| 4 | 00053710 | Washer | 2 | | |
| 5 | 00023080 | Hex.bolt | 2 | | |
| 6 | 00976140 | Screwed plug | 1 | | |
| 7 | 03006960 | Sealing compound | 0,1 | | |
| 8 | 01370710 | retainer holder corrugated hose | 1 | | |
| 9 | 00112010 | Hose | 0,78 | | |
| 10 | 00112010 | Hose | 0,66 | | |
| 11 | 00159550 | Pipe clamp | 4 | | |
| 12 | 01272710 | Lens head screw | 3 | | |
| 13 | 01278080 | Mounting clip | 3 | | |
| 14 | 01092910 | Lens flange screw | 1 | | |
| 15 | 01370800 | retainer | 1 | | |
| 16 | 00051510 | Hex. Nut | 1 | | |
| 17 | 01494500 | support | 2 | | |
| 18 | 01015350 | Hose clamp | 3 | | |
| 19 | 00154140 | Screwed angle fitting | 2 | | |
| 20 | 01073340 | Cable tie | 1 | | |
| 21 | 00543750 | Pump | 1 | | |
| 22 | 00903580 | Gasket | 2 | | |
| 23 | 01135470 | pin housing | 1 | | |
| 24 | 01063790 | Pin contact | 2 | | |
| 25 | 01371990 | valve connector | 1 | | |

Wiper disk brush 750 (97143275)



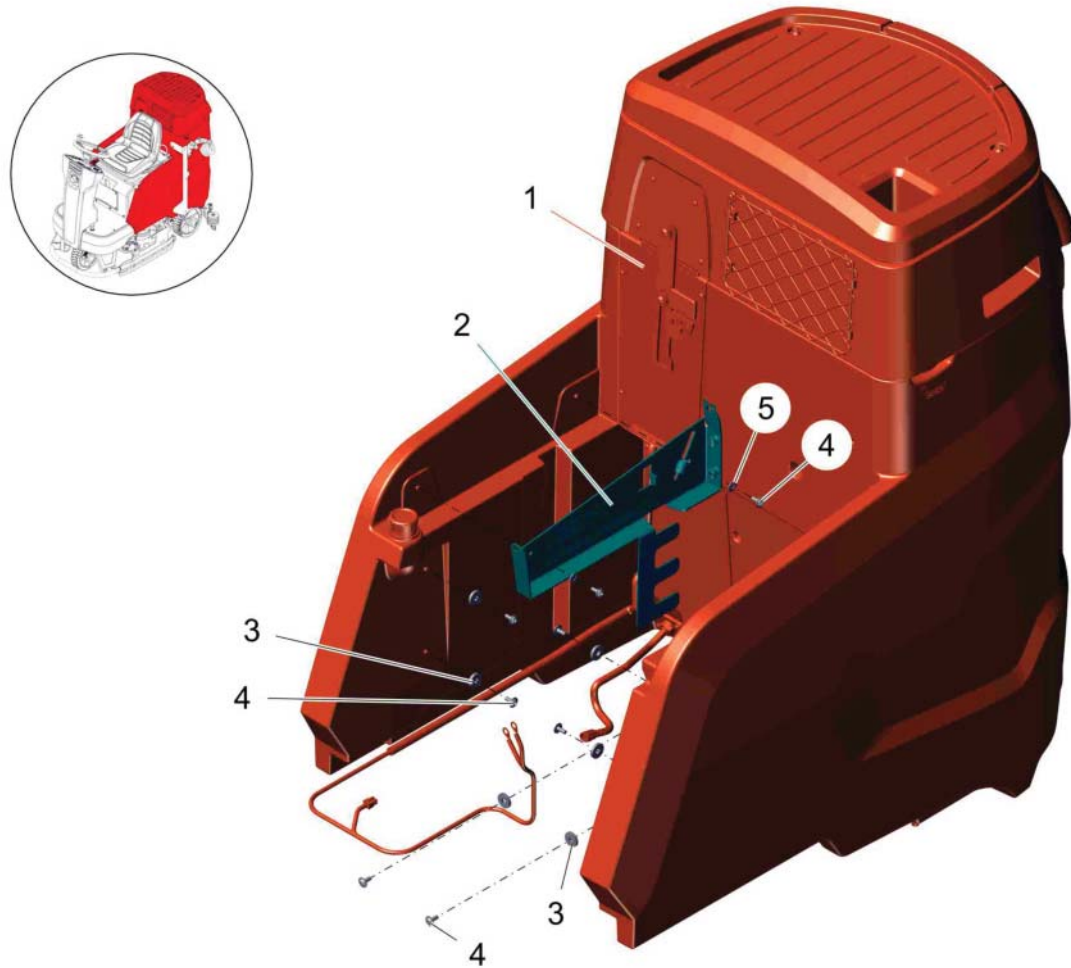
| Item | Part number | Description | Qty. | Unit | Remarks |
|------|-------------------|---------------------|------|------|---------|
| 1 | 01272710 | Lens head screw | 8 | | |
| 2 | 01272760 | Decal KEEP OFF | 1 | | |
| 3 | 97143283-97143291 | Wiper RH & LH | 1 | | |
| 4 | 01374830 | retainer | 2 | | |
| 5 | 01154830 | Cage nut | 4 | | |
| 6 | 00740310 | Washer | 4 | | |
| 7 | 00053090 | Hexagon screw | 4 | | |
| 8 | 01372470 | squeegee guide R.H. | 1 | | |
| 9 | 01074240 | Cap | 1 | | |
| 10 | 01375150 | angle L.H. | 1 | | |
| 11 | 01142870 | Round head screw | 8 | | |
| 12 | 01374850 | reinforcement | 2 | | |
| 13 | 00053730 | Washer | 8 | | |
| 14 | 00051520 | Hex. Nut | 8 | | |

Wiper RH & LH (97143283-97143291)



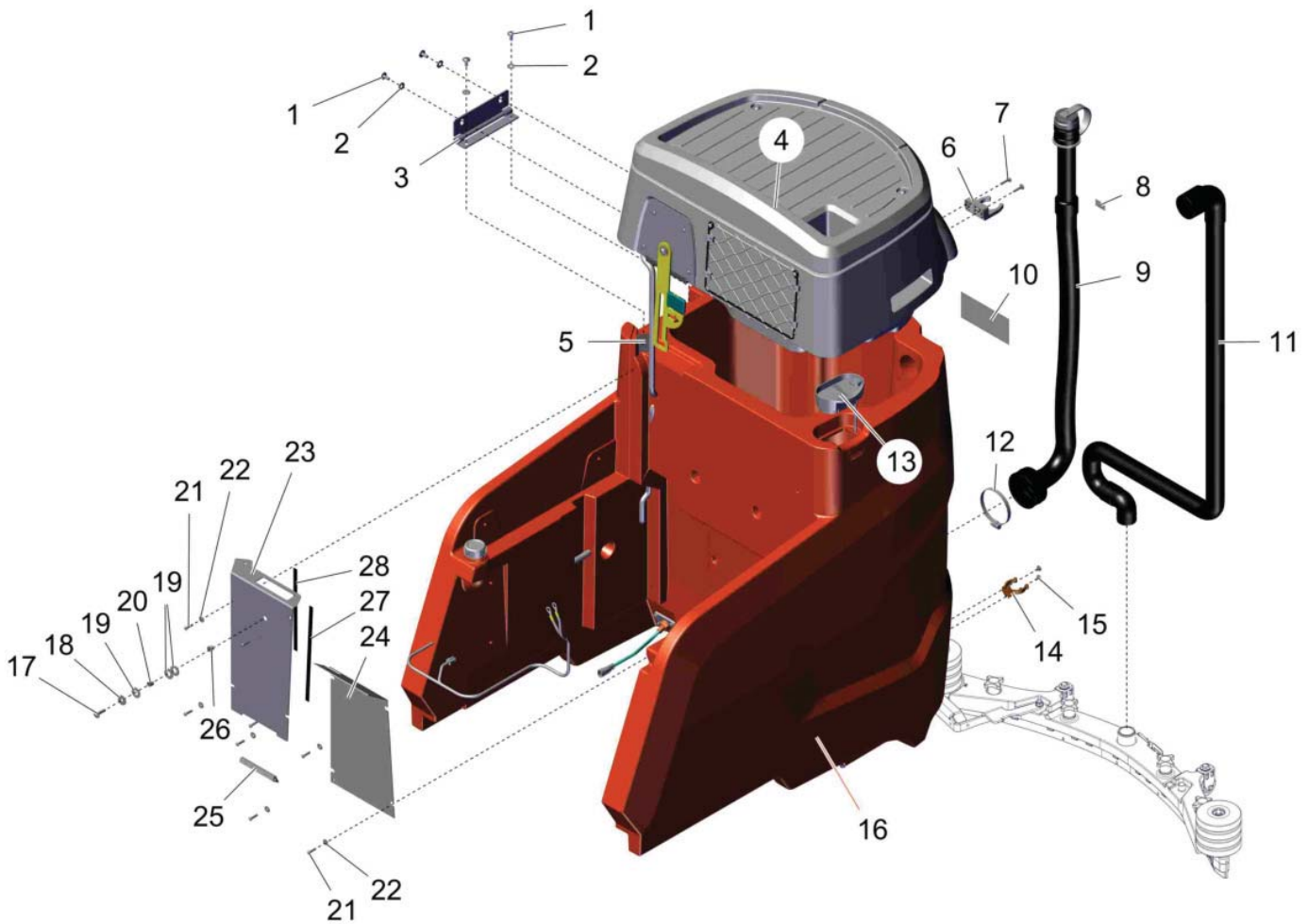
| Item | Part number | Description | Qty. | Unit | Remarks |
|------|-------------|--------------------|------|------|---------------------------------|
| 1 | 00051510 | Hex. Nut | 2 | | |
| 2 | 00053750 | Washer | 4 | | |
| 3 | 01374940 | retainer | 2 | | |
| 4 | 01374820 | swivel arm | 1 | | |
| 5 | 01374860 | axis of rotation | 2 | | |
| 6 | 01130080 | Slide bearing bush | 4 | | |
| 7 | 00051500 | Hex. Nut | 10 | | |
| 8 | 00053760 | Washer | 12 | | |
| 9 | 01073860 | Slide bearing bush | 16 | | |
| 10 | 01073870 | Lever | 4 | | |
| 11 | 01374100 | fitting screw | 8 | | |
| 12 | 01372560 | squeegee R.H. | 1 | | |
| 13 | 01372570 | swivel arm | 1 | | |
| 14 | 01271200 | Locking hook | 2 | | |
| 15 | 00153350 | Wing nut | 2 | | |
| 16 | 01074240 | Cap | 4 | | |
| 17 | 01372640 | squeegee L.H. | 1 | | |
| 18 | 00053310 | Hexagon screw | 2 | | |
| 19 | 01074210 | Bushing | 2 | | |
| 20 | 01374950 | tension band | 2 | | |
| 21 | 01074250 | Squeegee strip | 2 | | |
| 22 | 01077040 | squeegee strip | 1 | | variant: highly wear resistant! |

Water tank standard red (97152391)



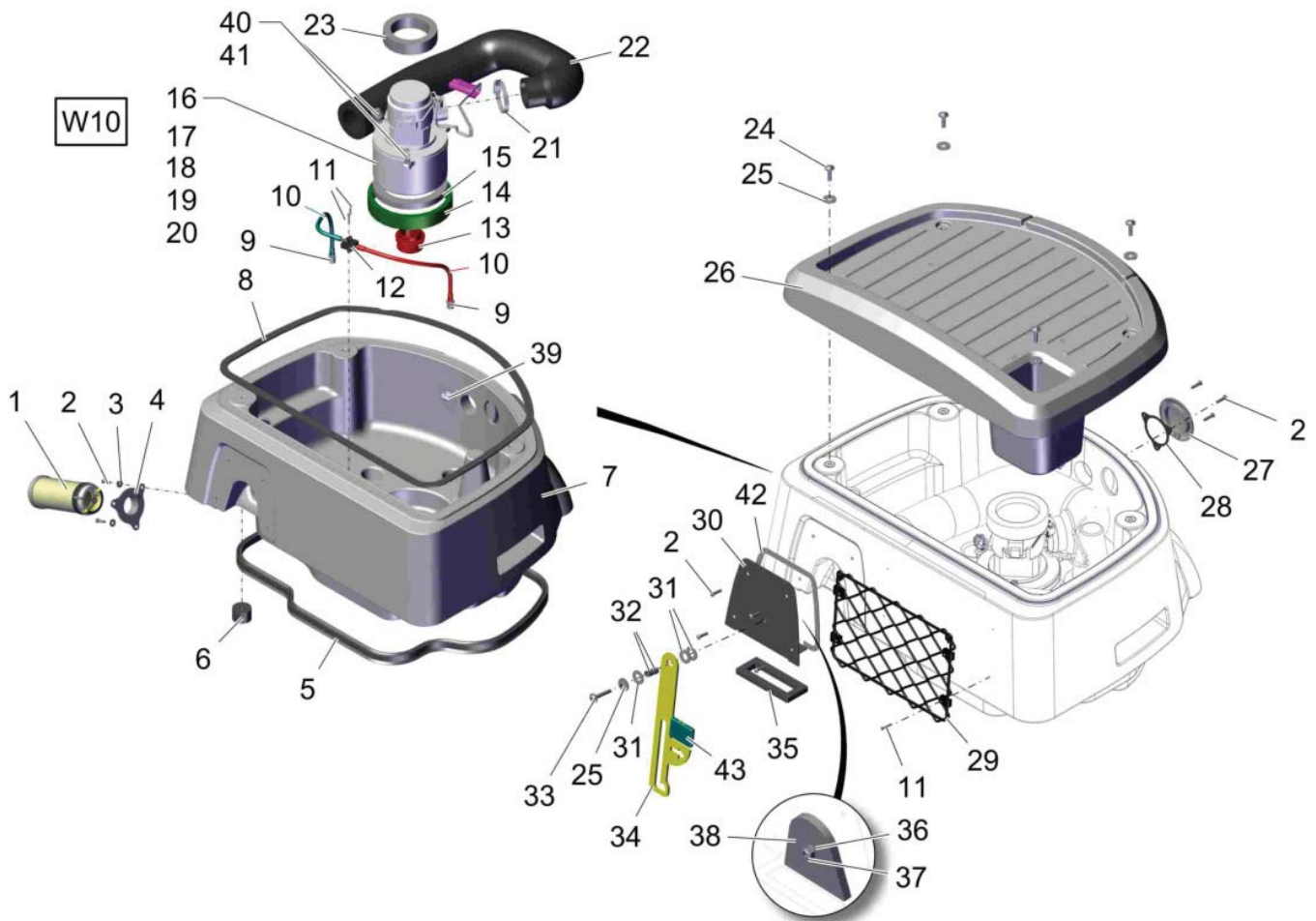
| Item | Part number | Description | Qty. | Unit | Remarks |
|-------------|--------------------|---------------------|-------------|-------------|----------------|
| 1 | 97152375 | Water tank red | 1 | | |
| 2 | 97146914 | Hinge sheet metal | 1 | | |
| 3 | 00047990 | Disk wheel | 6 | | |
| 4 | 01006820 | Lens flange screw | 8 | | |
| 5 | 01278230 | Detent edged washer | 2 | | |

Water tank red (97153275)



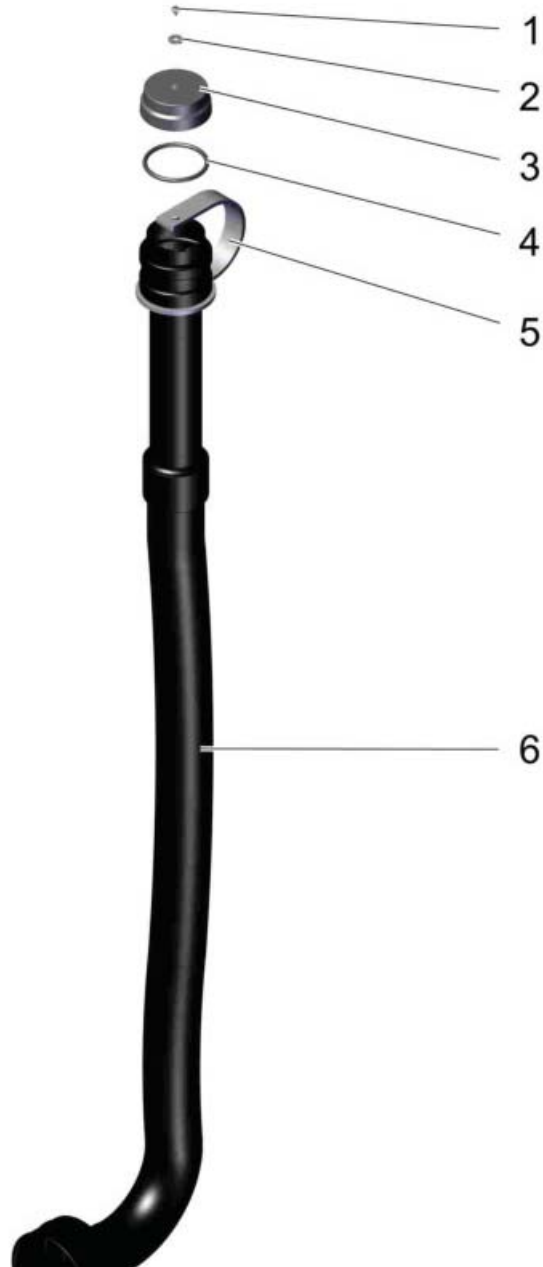
| Item | Part number | Description | Qty. | Unit | Remarks |
|------|-------------|-------------------------|-------|------|---------|
| 1 | 01074320 | Lens flange screw | 4 | | |
| 2 | 01278230 | Detent edged washer | 4 | | |
| 3 | 01278390 | Hinge | 1 | | |
| 4 | 97152383 | Cover | 1 | | |
| 5 | 01370820 | plug | 1 | | |
| 6 | 01275840 | Hose support | 1 | | |
| 7 | 01082530 | Lens flange screw | 2 | | |
| 8 | 01170060 | Decal FOUL WATER | 1 | | |
| 9 | 01370140 | hose | 1 | | |
| 10 | 03008970 | Decal POWERBOSS | 1 | | |
| 11 | 01370150 | suction hose | 1 | | |
| 12 | 00736200 | Hose clamp | 1 | | |
| 13 | 01173540 | Fresh water cap | 1 | | |
| 14 | 01078120 | Hose support | 1 | | |
| 15 | 01072520 | Lens flange screw | 2 | | |
| 16 | 01370530 | water tank | 1 | | |
| 17 | 01164420 | Lens flange screw | 1 | | |
| 18 | 00902280 | Washer | 1 | | |
| 19 | 01102770 | Approach disk | 3 | | |
| 20 | 01278330 | Spacer sleeve | 1 | | |
| 21 | 01078160 | Screw | 8 | | |
| 22 | 00058000 | Washer | 8 | | |
| 23 | 01370830 | cover plate | 1 | | |
| 24 | 01370810 | covering lower | 1 | | |
| 25 | 01000300 | edge protection 1.0-2.0 | 0,110 | | |
| 26 | 01130110 | Nut | 1 | | |
| 27 | 00420290 | Gasket white | 0,260 | | |
| 28 | 00420290 | Gasket white | 0,220 | | |

Cover (97152383)



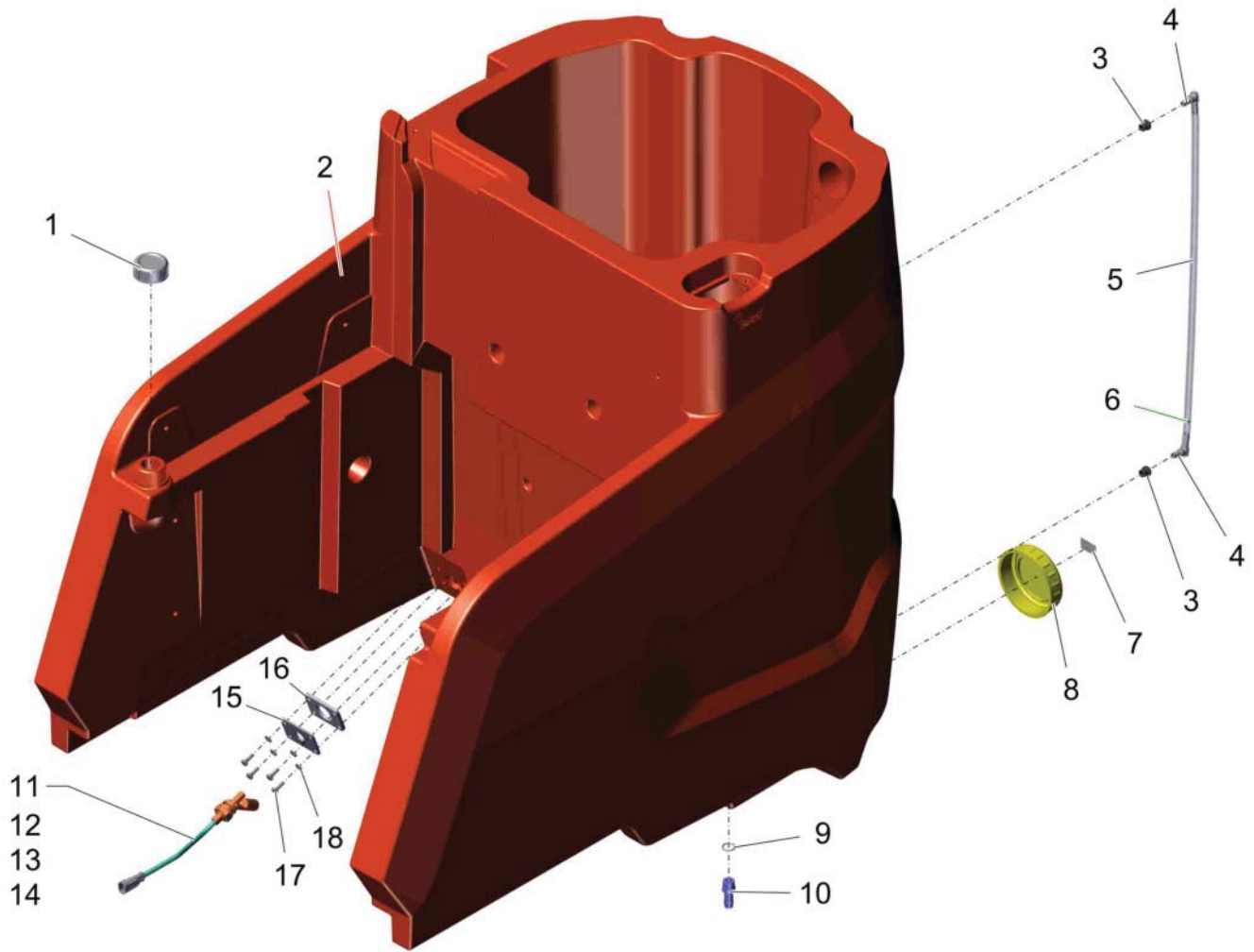
| Item | Part number | Description | Qty. | Unit | Remarks |
|------|-------------|------------------------------|-------|------|--------------|
| 1 | 01278990 | Filter cage | 1 | | |
| 2 | 01078160 | Screw | 10 | | |
| 3 | 00058000 | Washer | 3 | | |
| 4 | 01278140 | Connection | 1 | | |
| 5 | 01071770 | Sealing profile | 1,820 | | |
| 6 | 01278350 | Plug | 1 | | |
| 7 | 01370930 | cover | 1 | | |
| 8 | 00881980 | Sealing tape | 1,800 | | |
| 9 | 01161220 | Screwed plug | 2 | | |
| 10 | 00749620 | Hose | 0,270 | | |
| 11 | 00559430 | Tapping screw | 6 | | |
| 12 | 01370520 | differential pressure switch | 1 | | |
| 13 | 01370910 | sealing socket | 1 | | |
| 14 | 01370890 | sealing ring | 1 | | |
| 15 | 01370880 | sealing ring | 1 | | |
| 16 | 01278200 | Suction motor | 1 | | |
| 17 | 00048840 | Carbon brush | 4 | | |
| 18 | 00904050 | Toroidal core | 1 | | |
| 19 | 01092510 | Connector housing | 1 | | |
| 20 | 01092500 | Flat connector | 2 | | |
| 21 | 00732130 | Hose clamp | 1 | | |
| 22 | 01370920 | hose | 1 | | |
| 23 | 01370870 | sealing ring | 1 | | |
| 24 | 01164420 | Lens flange screw | 4 | | |
| 25 | 00902280 | Washer | 5 | | |
| 26 | 01370840 | cover | 1 | | |
| 27 | --- | Spare part on request | 1 | | 90535972 cap |
| 28 | 01072000 | Seal | 1 | | |
| 29 | 01172540 | Luggage rack | 1 | | |
| 30 | 01370850 | screen | 1 | | |
| 31 | 01102770 | Approach disk | 3 | | |
| 32 | 01278330 | Spacer sleeve | 2 | | |
| 33 | 01134740 | Filister head flange screw | 1 | | |
| 34 | 01370860 | lifting device | 1 | | |
| 35 | 01278070 | Gasket | 1 | | |
| 36 | 00101550 | Washer | 1 | | |
| 37 | 00051510 | Hex. Nut | 1 | | |
| 38 | 01370900 | insulation | 1 | | |
| 39 | 01493500 | Retainer | 1 | | |
| 40 | 01370250 | retainer | 2 | | |
| 41 | 01370240 | mounting feet | 2 | | |
| 42 | 00865630 | Sealing tape | 0,490 | | |
| 43 | 01074240 | Cap | 1 | | |
| W10 | 03019190 | wiring harness W10 | 1 | | |

Hose (01370140)



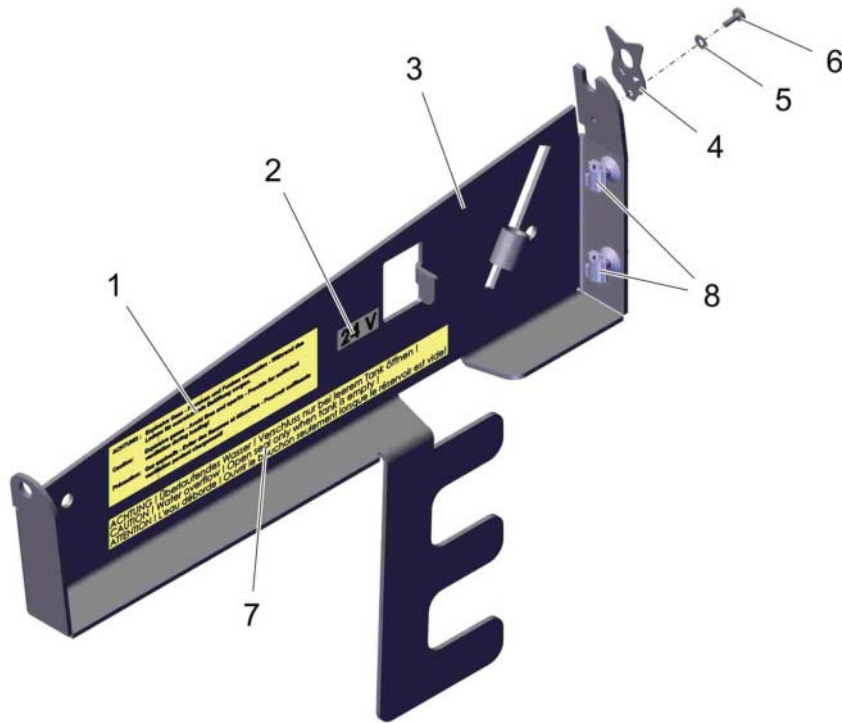
| Item | Part number | Description | Qty. | Unit | Remarks |
|-------------|--------------------|---------------------|-------------|-------------|---|
| 1 | 01276390 | Tapping screw | 1 | | |
| 2 | 00557150 | Washer | 1 | | |
| 3 | 01276370 | Cover | 1 | | |
| 4 | 01276380 | O-ring | 1 | | |
| 5 | 01276360 | Retaining strap | 1 | | |
| 6 | - | Not supplied alone! | 1 | | If needed order hose cpl. 01370140, please! |

Water tank (01370530)



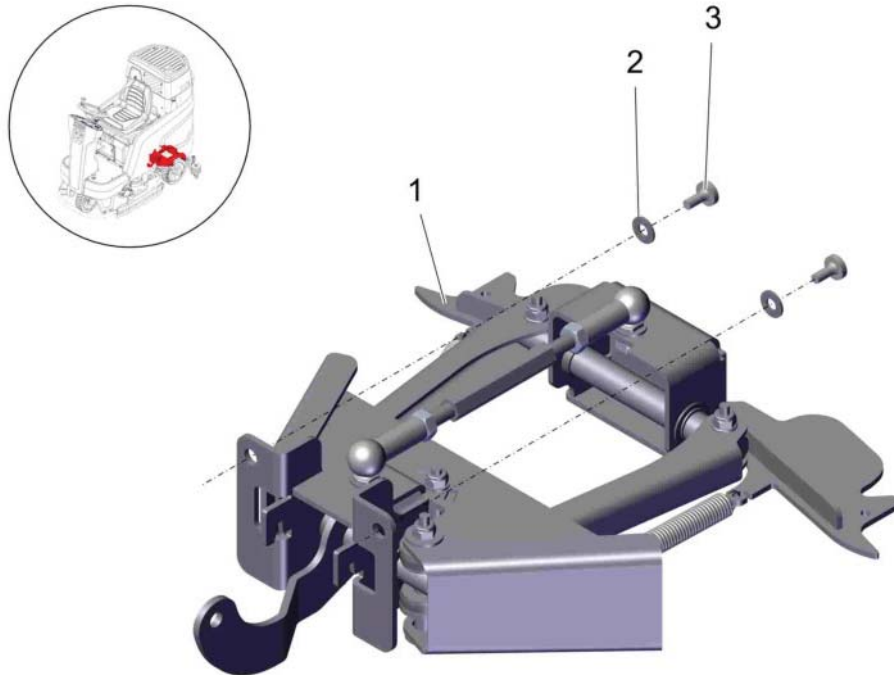
| Item | Part number | Description | Qty. | Unit | Remarks |
|------|-------------|----------------------|-------|------|--|
| 1 | 01072130 | Cover | 1 | | |
| 2 | - | Not supplied alone! | | | Order water tank complete, please (no.: 01370530)! |
| 3 | 00864480 | Cable sleeve | 2 | | |
| 4 | 01278340 | Angle socket | 2 | | |
| 5 | 01278240 | Hose | 0,590 | | |
| 6 | 01072170 | Ball | 1 | | |
| 7 | 01170150 | Decal SOLUTION TANK | 1 | | |
| 8 | 01278250 | Cover | 1 | | |
| 9 | 00057720 | O-ring oil resistant | 1 | | |
| 10 | 00976140 | Screwed plug | 1 | | |
| 11 | 00861620 | Float switch | 1 | | |
| 12 | 01016120 | Seal | 2 | | |
| 13 | 01063790 | Pin contact | 2 | | |
| 14 | 01135470 | pin housing | 1 | | |
| 15 | 01370940 | metal sheet | 1 | | |
| 16 | 01370950 | gasket | 1 | | |
| 17 | 01071890 | Hex.bolt | 4 | | |
| 18 | 00102150 | Washer | 4 | | |

Hinge (97146914)



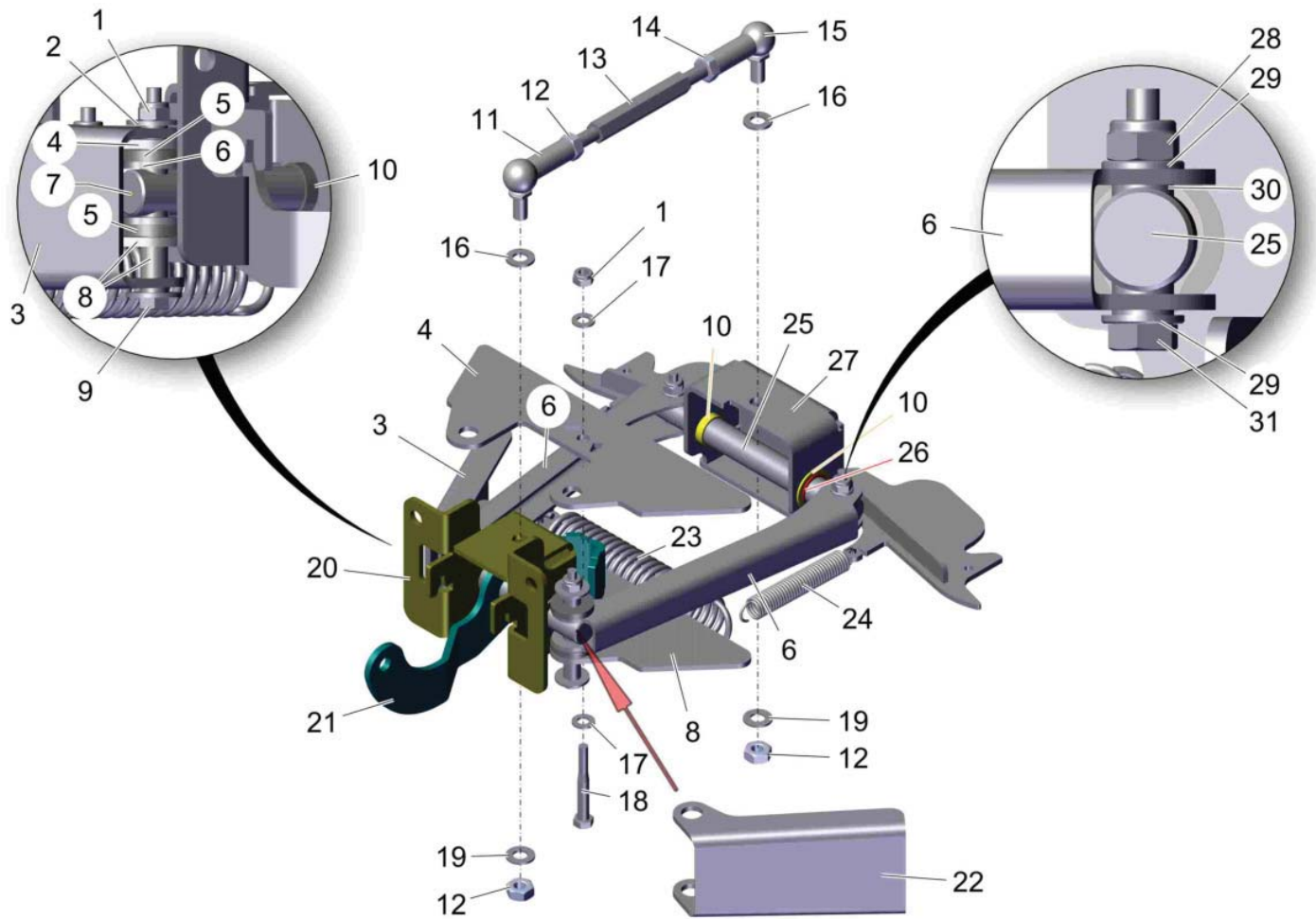
| Item | Part number | Description | Qty. | Unit | Remarks |
|------|-------------|-----------------------|------|------|---------|
| 1 | 01174740 | Decal explosive gazes | 1 | | |
| 2 | 00871160 | Decal 24V | 1 | | |
| 3 | 01370960 | hinge plate | 1 | | |
| 4 | 01278360 | Latch | 1 | | |
| 5 | 00874720 | Washer | 1 | | |
| 6 | 01112160 | Screw | 1 | | |
| 7 | 01175810 | Decal CAUTION | 1 | | |
| 8 | 01494500 | support | 2 | | |

Squeegee linkage group (97142921)



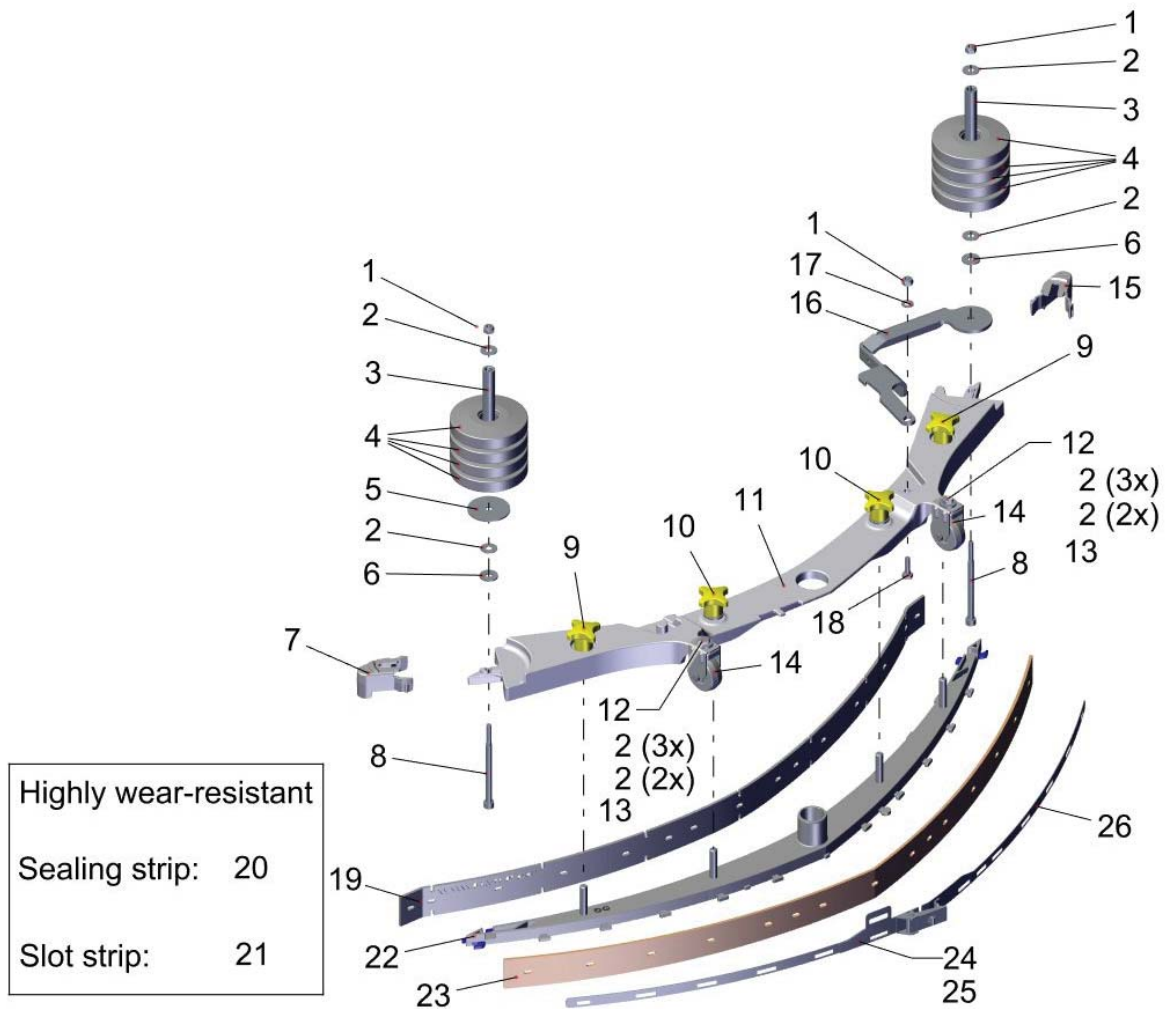
| Item | Part number | Description | Qty. | Unit | Remarks |
|------|-------------|-------------------------|------|------|---------|
| 1 | 01375210 | suction unit connection | 1 | | |
| 2 | 00740090 | Detent edged washer | 2 | | |
| 3 | 01272710 | Lens head screw | 2 | | |

Suction unit connection (01375210)



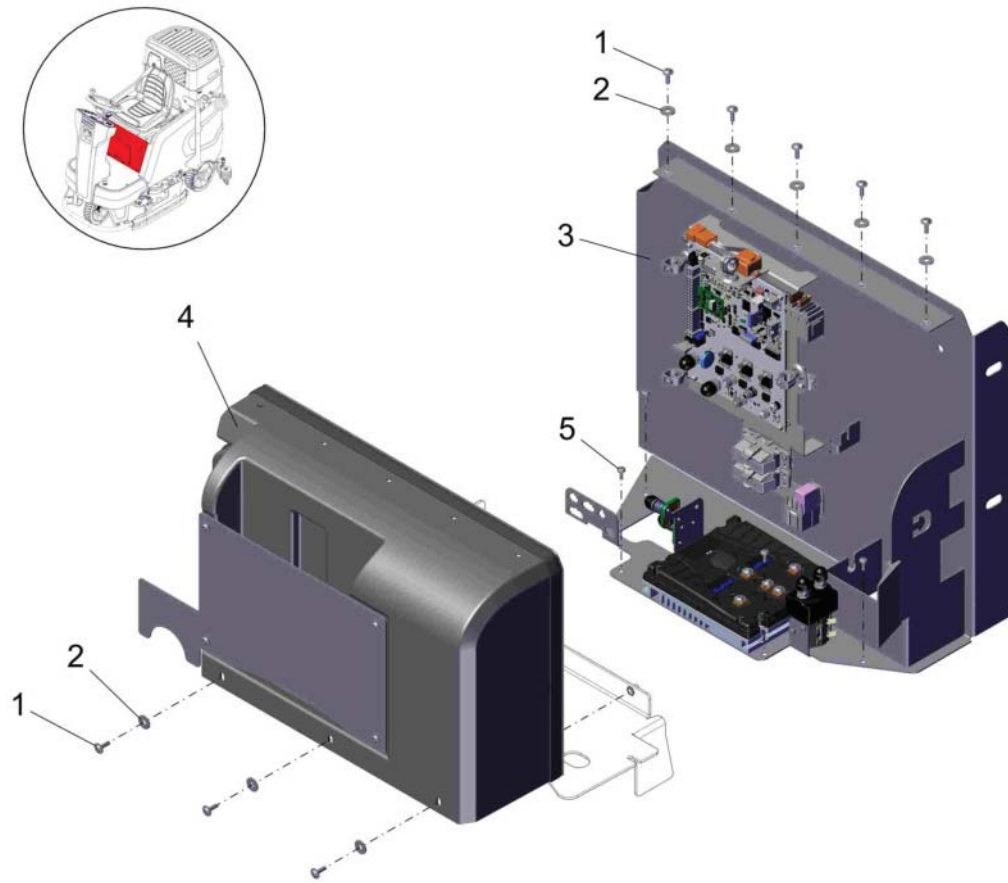
| Item | Part number | Description | Qty. | Unit | Remarks |
|------|-------------|---------------------------|------|------|---------|
| 1 | 00051510 | Hex. Nut | 3 | | |
| 2 | 00042900 | Washer | 4 | | |
| 3 | 01370370 | centered sheet metal R.H. | 1 | | |
| 4 | 01370430 | stop | 1 | | |
| 5 | 01370410 | starting disk | 4 | | |
| 6 | 01370300 | trapeze link | 2 | | |
| 7 | 01370310 | shaft | 1 | | |
| 8 | 01370640 | stop | 1 | | |
| 9 | 00746390 | Hex.bolt | 2 | | |
| 10 | 01130470 | Slide bearing bush | 4 | | |
| 11 | 01279810 | hinged joint | 1 | | |
| 12 | 00053360 | Hex. Nut | 3 | | |
| 13 | 01370360 | threaded rod | 1 | | |
| 14 | 00862550 | Hex. Nut | 1 | | |
| 15 | 01279750 | hinged joint | 1 | | |
| 16 | 00053760 | Washer | 2 | | |
| 17 | 00053750 | Washer | 2 | | |
| 18 | 00074260 | Hex.bolt | 1 | | |
| 19 | 00870090 | Detent edged washer | 2 | | |
| 20 | 01370380 | retainer | 1 | | |
| 21 | 01370390 | lever | 1 | | |
| 22 | 01370350 | centered sheet metal L.H. | 1 | | |
| 23 | 01277950 | Tension spring | 1 | | |
| 24 | 01130130 | Pull spring | 2 | | |
| 25 | 01370400 | shaft | 1 | | |
| 26 | 01370230 | circlip | 2 | | |
| 27 | 01370480 | base plate | 1 | | |
| 28 | 00101540 | Hex. Nut | 2 | | |
| 29 | 00101550 | Washer | 4 | | |
| 30 | 01370270 | spacer sleeve | 2 | | |
| 31 | 01370170 | hexagon Screw | 2 | | |

Suction unit 950mm (01279540)



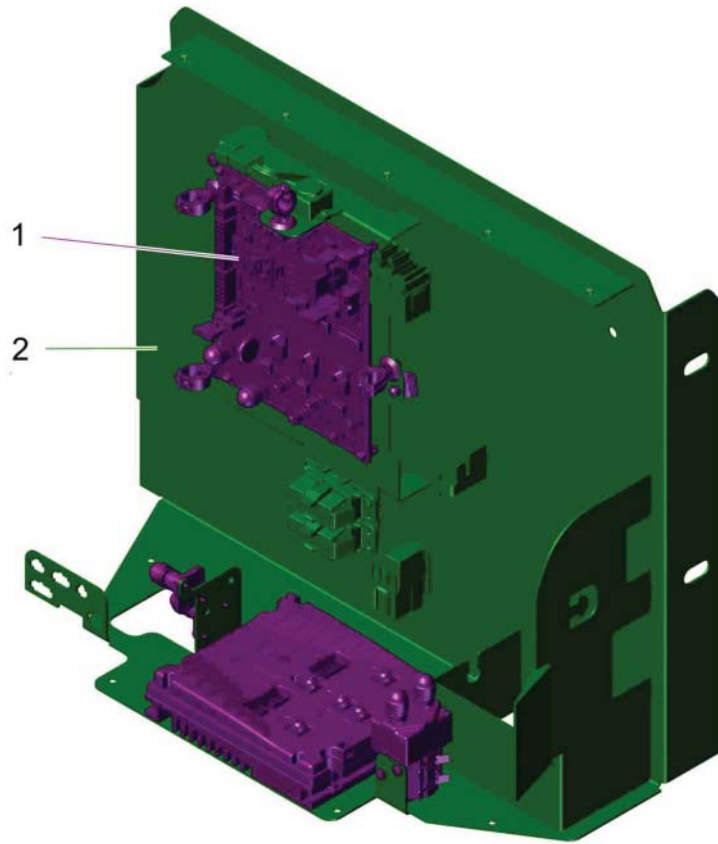
| Item | Part number | Description | Qty. | Unit | Remarks |
|------|-------------|---------------------------------|------|------|-------------------|
| 1 | 00101540 | Hex. Nut | 3 | | |
| 2 | 01079080 | Spacer | 14 | | |
| 3 | 01177260 | Pipe | 2 | | |
| 4 | 01171790 | Deflector roller | 8 | | |
| 5 | 01178290 | Conical spring washer | 1 | | |
| 6 | 00902280 | Washer | 2 | | |
| 7 | 01178320 | Protection cap L.H. | 1 | | |
| 8 | 01279920 | socket head screw | 2 | | |
| 9 | 01274570 | Star handle yellow | 2 | | |
| 10 | 01274760 | Star handle yellow incl. washer | 2 | | |
| 11 | 01279270 | suction unit body 950 mm | 1 | | |
| 12 | 01162510 | Hexagon screw | 2 | | |
| 13 | 00971400 | Hex. Nut | 2 | | |
| 14 | 01077810 | Fixed castor | 2 | | |
| 15 | 01178310 | Protection cap R.H. | 1 | | |
| 16 | 01177300 | Bracket | 1 | | |
| 17 | 00101550 | Washer | 1 | | |
| 18 | 01059530 | Hexagon screw | 1 | | |
| 19 | 01077470 | Slot strip | 1 | | for 95cm squeegee |
| 20 | 01179180 | Sealing strip | 1 | | for 95cm squeegee |
| 21 | 01179170 | Slot strip | 1 | | for 95cm squeegee |
| 22 | 01279360 | suction unit body 950mm. | 1 | | |
| 23 | 01077480 | Sealing strip | 1 | | for 95cm squeegee |
| 24 | 01279440 | tension band L.H. 950mm. | 1 | | incl.item 25 |
| 25 | 01171810 | Lock | 1 | | |
| 26 | 01279520 | tension band R.H. 950mm. | 1 | | |

Electric system without onboard charger (97158554)



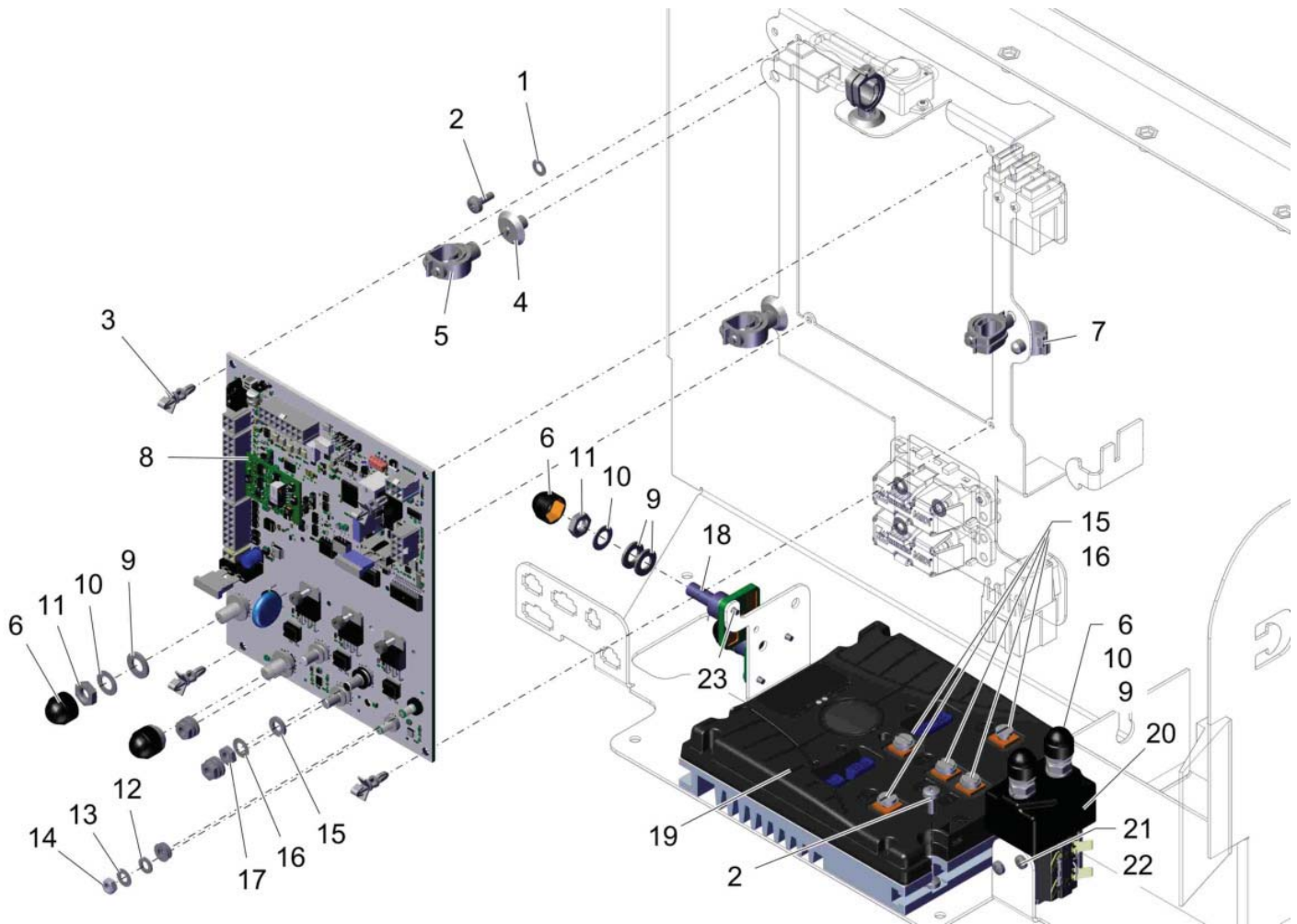
| Item | Part number | Description | Qty. | Unit | Remarks |
|------|-------------|---------------------------------|------|------|---------|
| 1 | 01017640 | Lens flange screw | 8 | | |
| 2 | 00854210 | Washer | 8 | | |
| 3 | 97158547 | Electric system without charger | 1 | | |
| 4 | 97146187 | Cover | 1 | | |
| 5 | 00959220 | Screw | 4 | | |

Electric system without charger (97158547)



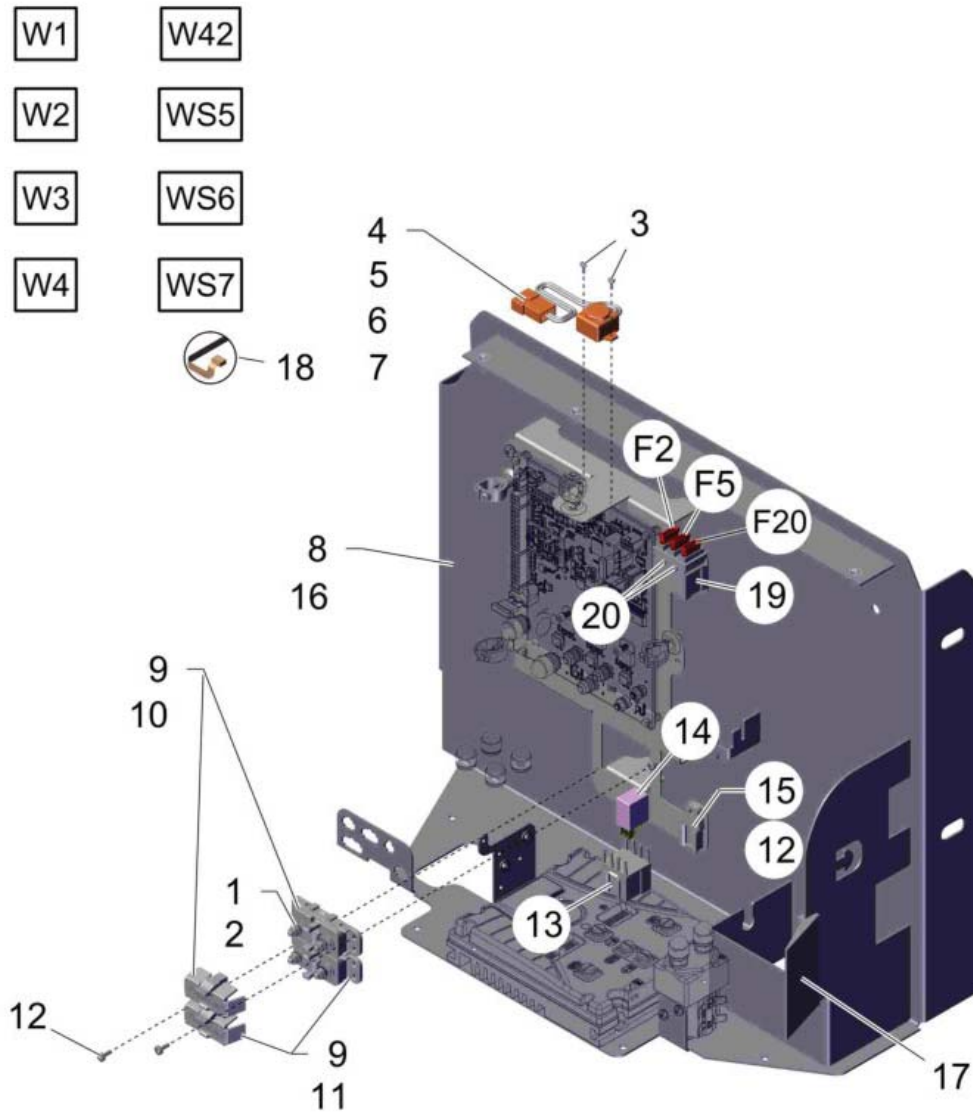
| Item | Part number | Description | Qty. | Unit | Remarks |
|------|-------------|---|------|------|---------|
| 1 | 97158547-1 | Electric system without charger, part 1 | 1 | | |
| 2 | 97158547-2 | Electric system without charger, part 2 | 1 | | |

Electric system without charger, part 1 (97158547-1)



| Item | Part number | Description | Qty. | Unit | Remarks |
|------|-------------|------------------------------|------|------|---------|
| 1 | 00857150 | Serrated lock washer | 1 | | |
| 2 | 00959220 | Screw | 5 | | |
| 3 | 00745840 | Print plate holder | 4 | | |
| 4 | 01370240 | mounting feet | 4 | | |
| 5 | 01370250 | retainer | 4 | | |
| 6 | 00131610 | Lens cap | 6 | | |
| 7 | 01494500 | support | 1 | | |
| 8 | 01370440 | controller | 1 | | |
| 9 | 00053750 | Washer | 10 | | |
| 10 | 00053850 | Spring washer | 6 | | |
| 11 | 00046500 | Hex. Nut | 4 | | |
| 12 | 00053720 | Washer | 6 | | |
| 13 | 00053830 | Spring washer | 2 | | |
| 14 | 00053320 | Hex. Nut | 2 | | |
| 15 | 00053730 | Washer | 11 | | |
| 16 | 00053840 | Spring washer | 8 | | |
| 17 | 00135790 | Hex. Nut | 3 | | |
| 18 | 00744670 | Single clamp | 2 | | |
| 19 | 01371100 | drive controller AC 24V 120A | 1 | | |
| 20 | 01277790 | Solenoid switch | 1 | | |
| 21 | 00044930 | Fillister-head screw | 2 | | |
| 22 | 00053710 | Washer | 2 | | |
| 23 | 01112160 | Screw | 2 | | |

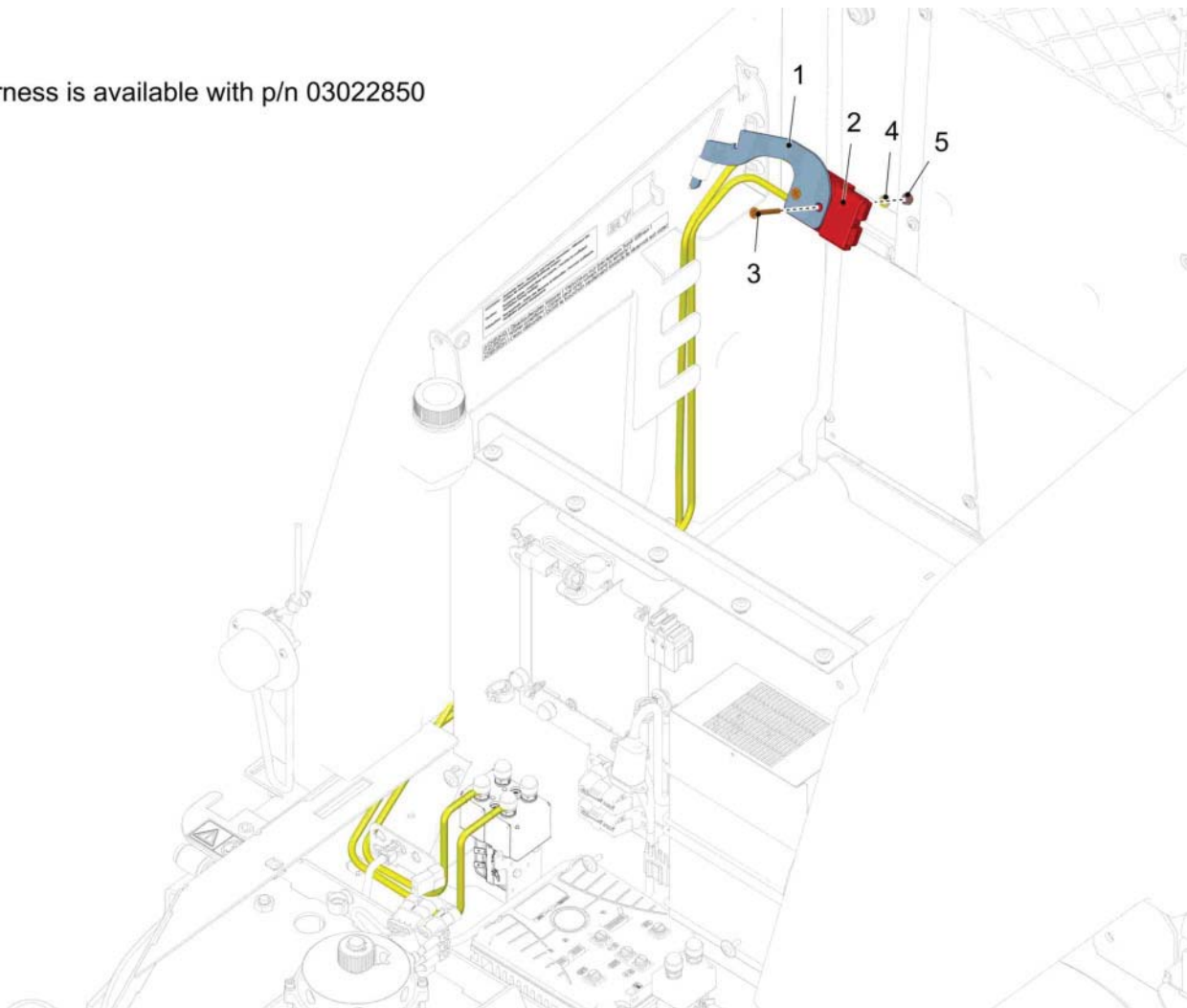
Electric system without charger, part 2 (97158547-2)



| Item | Part number | Description | Qty. | Unit | Remarks |
|------|-------------|-----------------------|-------|------|-----------------------------|
| 1 | 00053720 | Washer | 4 | | |
| 2 | 00053830 | Spring washer | 4 | | |
| 3 | 01110570 | Screw | 2 | | |
| 4 | 00745850 | Signal transmitter | 1 | | |
| 5 | 00903170 | Flat connector | 2 | | |
| 6 | 00903180 | Male-housing | 1 | | |
| 7 | 00121010 | Cable tie | 1 | | |
| 8 | 01370490 | electronic plate | 1 | | |
| 9 | 01473870 | Fuse holder | 2 | | |
| 10 | 01370330 | fuse link | 1 | | power |
| 11 | 01370260 | fuse link | 1 | | drive control |
| 12 | 01112160 | Screw | 5 | | |
| 13 | 01271830 | Relay base | 1 | | |
| 14 | 01271000 | Relay | 1 | | |
| 15 | 01271780 | Retainer | 1 | | |
| 16 | 01271300 | Nut | 5 | | |
| 17 | 00461460 | Edge protection | 0,090 | | |
| 18 | 01278090 | Ribbon cable | 1 | | |
| 19 | 00733650 | Fuse holder | 3 | | |
| 20 | 01110770 | Screw | 2 | | |
| F2 | 00509550 | Fuse | 1 | | control voltage |
| F5 | 00906120 | Fuse | 1 | | horn |
| F20 | 00906120 | Fuse | 1 | | Fleet-Recorder |
| W1 | 03022850 | wiring harness W1 | 1 | | |
| W2 | 03019200 | wiring harness W2 | 1 | | |
| W3 | 03019180 | wiring harness W3 | 1 | | |
| W4 | 03019310 | wiring harness W4 | 1 | | |
| W42 | 03019290 | wiring harness W42 | 1 | | |
| WS5 | --- | Spare part on request | 1 | | 97130017 wiring harness WS5 |
| WS6 | 03019340 | cable loom WS6 | 1 | | |
| WS7 | 03019420 | cable loom WS7 | 1 | | |

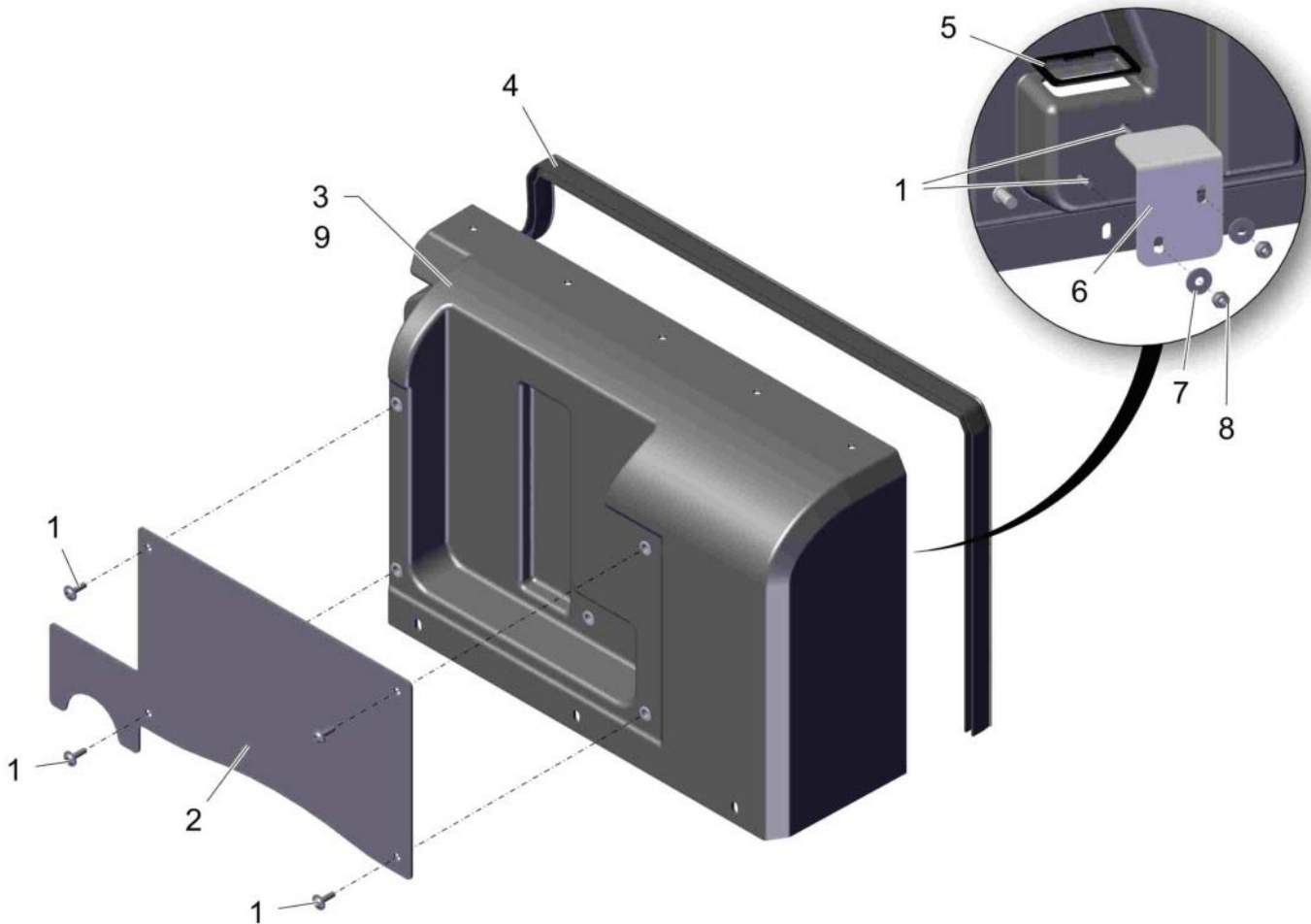
Wiring harness W1 (03022850)

Cpl. harness is available with p/n 03022850



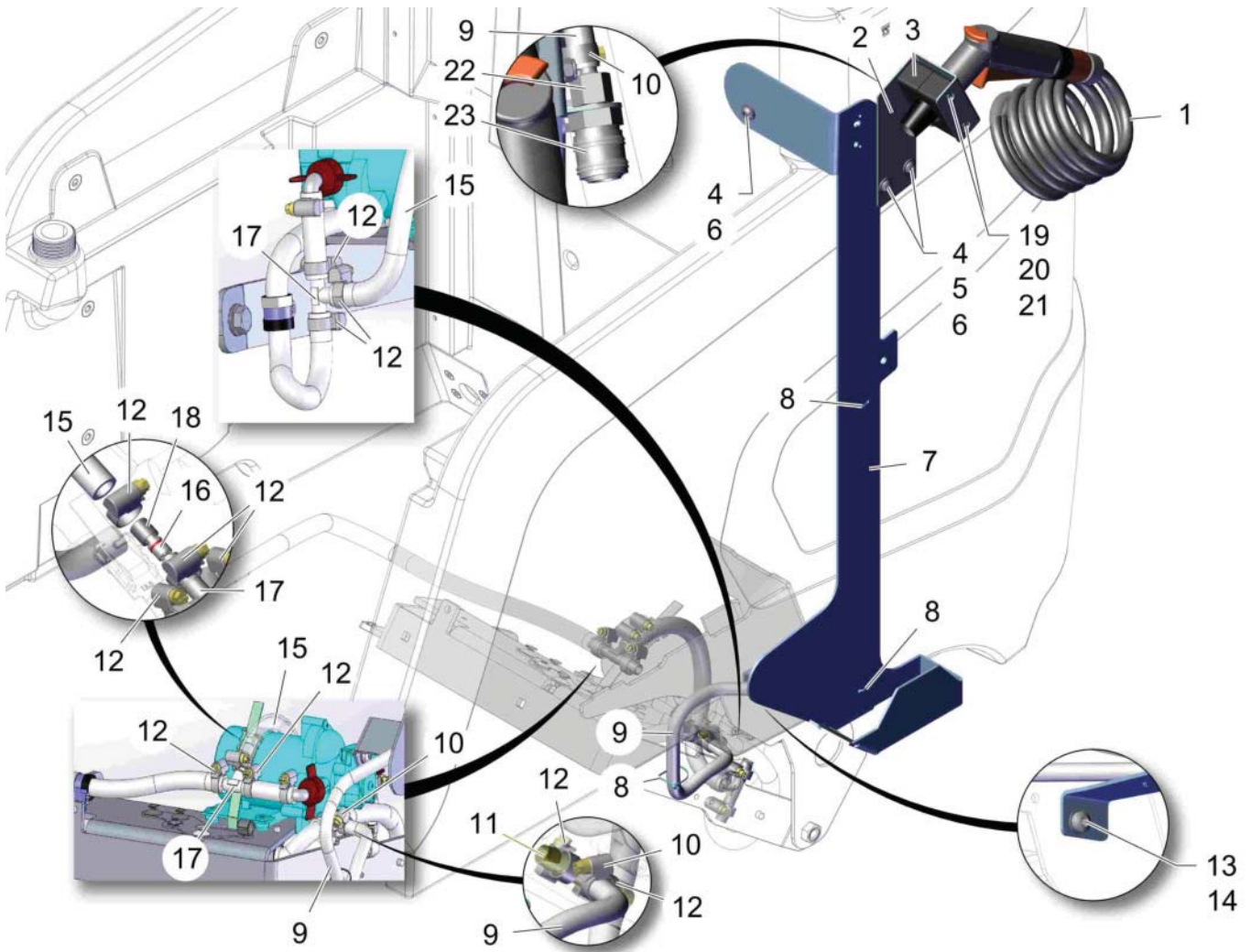
| Item | Part number | Description | Qty. | Unit | Remarks |
|------|-------------|-------------------|------|------|---------|
| 1 | 01378080 | retainer | 1 | | |
| 2 | 01075720 | Connector red | 1 | | |
| 3 | 00053650 | Countersunk screw | 2 | | |
| 4 | 00053730 | Washer | 2 | | |
| 5 | 00051520 | Hex. Nut | 2 | | |

Cover (97146187)



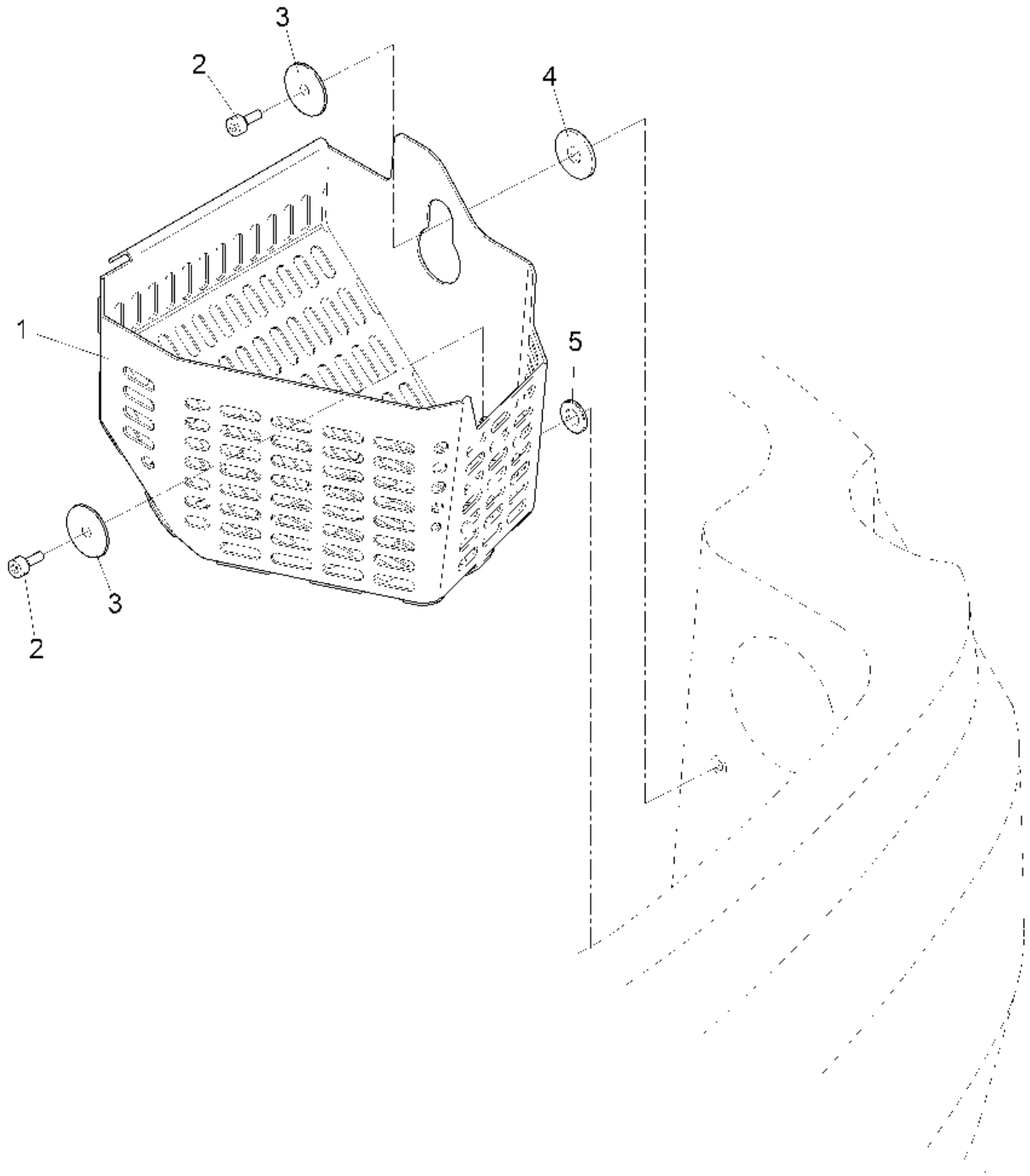
| Item | Part number | Description | Qty. | Unit | Remarks |
|------|-------------|-----------------------|-------|------|----------------|
| 1 | 01017640 | Lens flange screw | 6 | | |
| 2 | 01370290 | plate | 1 | | |
| 3 | 01370470 | covering | 1 | | |
| 4 | 00800100 | Edge protection | 1,160 | | |
| 5 | 01278180 | Gasket | 1 | | |
| 6 | --- | Spare part on request | 1 | | 90683756 angle |
| 7 | 00854210 | Washer | 2 | | |
| 8 | 00102140 | Hex. Nut | 2 | | |
| 9 | 01494530 | Rivet nut | 5 | | |

Sprinkle nozzle incl. holder (97147185)



| Item | Part number | Description | Qty. | Unit | Remarks |
|------|-------------|------------------------|-------|------|---------|
| 1 | 01372240 | spray pistol with hose | 1 | | |
| 2 | 01376950 | retainer | 1 | | |
| 3 | 01477410 | pair of clamping | 1 | | |
| 4 | 01074320 | Lens flange screw | 3 | | |
| 5 | 01278230 | Detent edged washer | 3 | | |
| 6 | 00971400 | Hex. Nut | 2 | | |
| 7 | 01372600 | base retainer | 1 | | |
| 8 | 00121150 | Cable tie | 4 | | |
| 9 | 01074650 | Spiral coiled tube | 1,170 | | |
| 10 | 00074300 | Hose clamp | 2 | | |
| 11 | 01073020 | T-piece | 1 | | |
| 12 | 01015350 | Hose clamp | 9 | | |
| 13 | 01272710 | Lens head screw | 1 | | |
| 14 | 00740090 | Detent edged washer | 1 | | |
| 15 | 00112010 | Hose | 0,310 | | |
| 16 | 01371810 | recycling stop | 1 | | |
| 17 | 00976160 | T-piece | 2 | | |
| 18 | 01372620 | plain bearing bush | 1 | | |
| 19 | 01271540 | Socket head screw | 2 | | |
| 20 | 00053730 | Washer | 2 | | |
| 21 | 00051520 | Hex. Nut | 2 | | |
| 22 | 00552600 | Hose nipple | 1 | | |
| 23 | 00552590 | Quick hitch | 1 | | |

Rough mud strainer (97132310)



| Item | Part number | Description | Qty. | Unit | Remarks |
|-------------|--------------------|---------------------|-------------|-------------|----------------|
| 1 | 01375840 | rough dirt strainer | 1 | | |
| 2 | 01178830 | Socket head screw | 2 | | |
| 3 | 01377400 | guide piece | 2 | | |
| 4 | 00902280 | Washer | 1 | | |
| 5 | 00101550 | Washer | 1 | | |

PowerBoss[®]
The Power of Clean

'The Power of Clean'

**PowerBoss[®] is a Full Line Manufacturer of Sweepers and Scrubbers,
for Industrial Facilities.**

PowerBoss[®], Minuteman International, Inc. 14N845 U.S. Route 20 Pingree Grove, Illinois 60140
Phone: 800-323-9420 www.PowerBoss.com Email: tech@powerboss.com
A Member of the Hako Group

SM3032D Rider Scrubber #988779 Rev A 07/21
PowerBoss[®] Copyright 2021